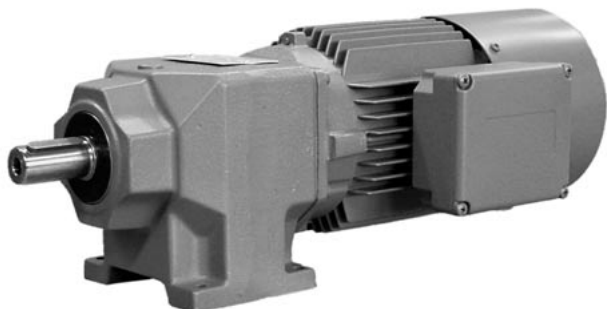


Двигатели с косозубыми редукторами G

KEB

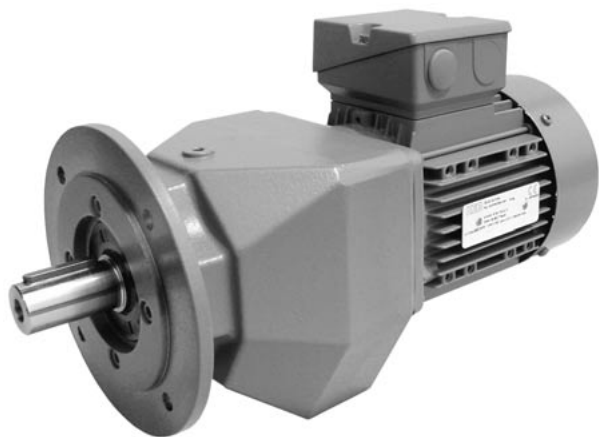
G2.2A DA80G4 B



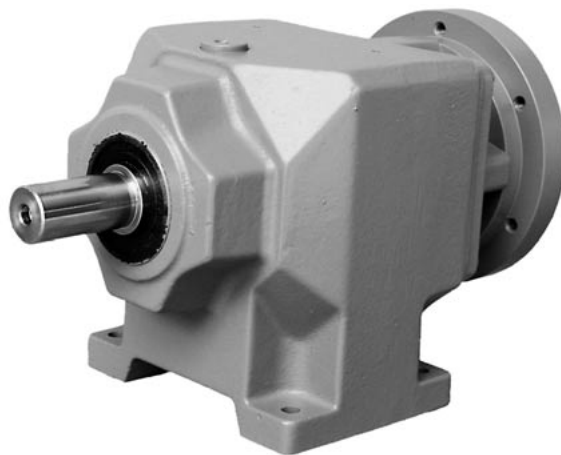
G5.2B DA90L4



G2.2C DL71G4

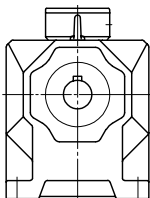
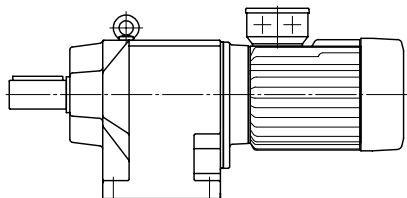


G1.2-M IEC 63B14G

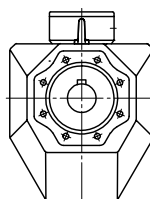
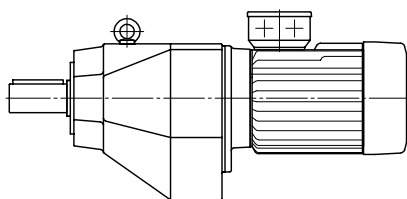


Двигатели с косозубыми редукторами G

KEB

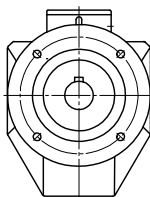
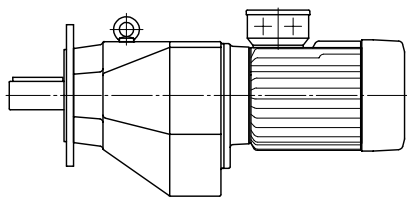


Вариант с монтажом на лапы
Пример: G7.3A DA160M4



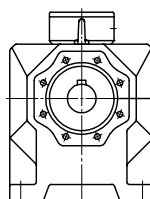
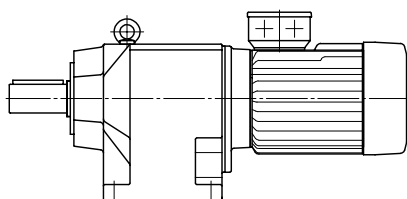
B14 Вариант с фланцевым монтажом
Пример: G4.2B DA100L4

(Для редукторов G5..G8 исполнения B и D идентичны)



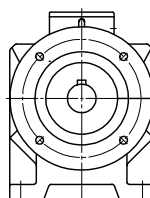
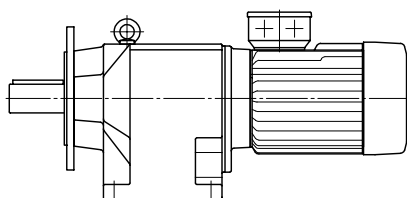
B5 Вариант с монтажом на лапы
Пример: G3.2C DA80G4

(Для редукторов G5..G8 исполнения C и E идентичны)



Исполнение лапы- фланец B14
Пример: G4.3D DL63G4

(Для редукторов G5..G8 исполнения B и D идентичны)

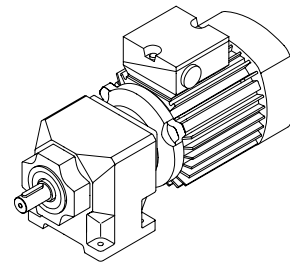


Исполнение лапы - фланец B5
Пример: G2.2E DA90S4

(Для редукторов G5..G8 исполнения C и E идентичны)

Двигатели с косозубыми редукторами G

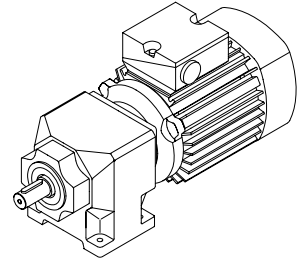
КЕВ



P	n2	M	cG	i	Fr	Fa	Тип	Размеры	Вес
[кВт]	[1/мин]	[Нм]			[Н]	[Н]		Страница	[кг]
0.12	0.11	10530	0.9	12950	55500	247400	G8.3/G3.2A DL63K4	57/58	246
	0.12	9490	1.0	11673	55500	239100	G8.3/G3.2B DL63K4		246
	0.13	8770	1.0	10792	55500	233100	G8.3/G3.2C DL63K4		263
	0.14	7910	1.2	9727.7	55500	225300			
	0.17	6830	1.3	8406.3	55500	215000			
	0.19	6160	1.5	7577.4	55500	208000			
	0.21	5540	1.7	6815.9	55500	201000			
	0.23	4990	1.8	6143.8	55500	194500			
	0.28	4070	2.3	5009.7	55500	182400			
	0.31	3670	2.5	4515.7	55500	176500			
	0.35	3280	2.8	4040.9	55500	170500			
	0.20	5680	0.8	6994.4	43800	118500	G7.3/G3.2A DL63K4	56/58	155
	0.22	5110	0.9	6291.5	43800	114400	G7.3/G3.2B DL63K4		155
0.25	4610	1.0	5671.1	43800	110400	G7.3/G3.2C DL63K4	163		
0.30	3760	1.3	4624.3	43800	103200				
0.34	3390	1.4	4168.3	43800	99700				
0.38	3030	1.6	3730.0	43800	96100				
0.42	2730	1.7	3362.2	43800	92900				
0.45	2560	1.8	3145.8	43800	90900				
0.50	2300	2.1	2835.5	43800	87900				
0.60	1920	2.5	2359.3	43800	82900				
0.66	1730	2.7	2126.7	43800	80200				
0.71	1620	2.9	1992.3	43800	78600				
0.41	2810	0.8	3460.8	27000	61000	G6.3/G1.2A DL63K4	55/58	101	
0.47	2420	0.9	2982.5	27000	59300	G6.3/G1.2B DL63K4		101	
0.52	2200	1.0	2710.7	27000	58100	G6.3/G1.2C DL63K4		107	
0.59	1950	1.2	2396.9	27000	56600				
0.65	1770	1.3	2178.5	27000	55500				
0.72	1600	1.4	1966.5	27000	54200				
0.79	1450	1.6	1787.3	27000	53000				
0.91	1260	1.8	1555.6	27000	51300				
1.00	1150	2.0	1413.8	27000	50100				
1.1	1040	2.2	1284.1	27000	48900				
1.2	950	2.4	1167.1	27000	47800				
1.4	795	2.9	977.67	27000	45700				
0.75	1520	0.8	1867.7	14600	14200	G5.3/G1.2A DL63K4	54/58	65	
0.83	1380	0.9	1697.5	14600	14700	G5.3/G1.2B DL63K4		65	
0.92	1250	1.0	1532.3	14600	15100	G5.3/G1.2C DL63K4		69	
1.0	1130	1.1	1392.7	14600	15400				
1.2	985	1.2	1212.1	14600	15900				
1.3	895	1.3	1101.7	14600	16200				
1.4	815	1.5	1000.6	14600	16400				
1.6	740	1.6	909.40	14600	16700				
1.9	620	1.9	761.82	14600	17100				
2.0	565	2.1	692.40	14600	17200				
2.4	485	2.5	596.71	14600	17500				
2.6	440	2.7	542.33	14600	17600				
2.0	585	2.0	722.000	14600	17200	G5.3A DL63K4	54	60	
2.2	525	2.1	644.21	14600	17400	G5.3B DL63K4		60	
2.4	475	2.5	582.67	14600	17500	G5.3C DL63K4		63	
2.7	425	2.7	519.89	14600	17700				
2.9	390	3.0	481.33	14600	17800				

Двигатели с косозубыми редукторами G

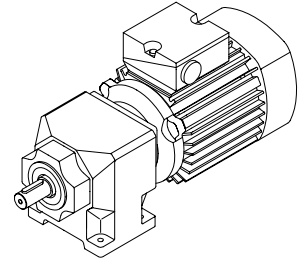
КЕВ



P	n2	M	cG	i	Fr	Fa	Тип	Размеры	Вес
[кВт]	[1/мин]	[Нм]			[Н]	[Н]		Страница	[кг]
0.12	1.5	765	0.8	943.58	9200	8990	G4.2/G1.2A DL63K4	53/58	36
	1.6	695	0.9	857.60	9200	9270	G4.2/G1.2B DL63K4		32
	1.9	605	1.0	746.42	9200	9620	G4.2/G1.2C DL63K4		34
	2.1	550	1.1	678.40	9200	9840			
	2.3	500	1.2	616.15	9200	10000			
	2.5	455	1.3	560.00	9200	10200			
	3.0	380	1.6	469.12	9200	10500			
	3.3	345	1.8	426.37	9200	10600			
	3.8	300	2.0	367.45	9200	10800			
	4.2	270	2.2	333.96	9200	10900			
	2.1	545	1.0	668.850	9200	9910	G4.3A DL63K4	53	34
	2.4	485	1.0	596.79	9200	10100	G4.3B DL63K4		30
	2.4	480	1.2	588.47	9200	10200	G4.3C DL63K4		32
	2.7	425	1.2	525.06	9200	10300			
	3.0	385	1.5	473.200	9200	10500			
	3.3	345	1.5	422.22	9200	10700			
	3.6	320	1.8	394.33	9200	10800			
	4.0	285	1.8	351.85	9200	10900			
	4.6	245	2.3	303.33	9200	11100			
5.2	220	2.3	270.65	9200	11100				
3.7	315	0.9	385.34	5500	6530	G3.2/G1.2A DL63K4	52/58	24	
4.0	285	0.9	350.22	5500	6660	G3.2/G1.2B DL63K4		22	
4.7	245	1.1	301.82	5500	6850	G3.2/G1.2C DL63K4		23	
5.1	225	1.2	274.32	5500	6950				
4.2	275	0.9	222.22	5500	6730	G3.3A DL63G6	52	22	
4.6	250	1.0	200.31	5500	6830	G3.3B DL63G6		20	
5.3	215	1.2	173.74	5500	7010	G3.3C DL63G6		21	
5.9	194	1.3	156.60	5500	7090				
6.3	181	1.4	222.22	5500	7170	G3.3A DL63K4	52	22	
7.0	163	1.6	200.31	5500	7240	G3.3B DL63K4		20	
8.1	141	1.8	173.74	5500	7350	G3.3C DL63K4		21	
9.0	127	2.0	156.60	5500	7400				
10.0	115	2.2	141.41	5500	7470				
11	104	2.5	127.47	5500	7510				
13	85	3.0	105.05	5500	7610				
14	84	1.4	67.94	4250	5330	G2.2A DL63G6	51	14	
15	76	1.4	61.22	4250	5360	G2.2B DL63G6		12	
17	68	1.7	54.83	4250	5420	G2.2C DL63G6		13	
19	61	2.0	49.41	4250	5450				
21	55	2.1	67.94	4250	5490	G2.2A DL63K4	51	14	
23	50	2.1	61.22	4250	5510	G2.2B DL63K4		12	
26	45	2.6	54.83	4250	5550	G2.2C DL63K4		13	
29	40	3.0	49.41	4250	5570				
15	75	0.8	60.31	2750	2790	G1.2A DL63G6	50	11	
16	72	0.9	58.38	2750	2810	G1.2B DL63G6		10	
17	66	1.0	53.06	2750	2850	G1.2C DL63G6		11	
20	58	1.1	46.94	2740	2900				

Двигатели с косозубыми редукторами G

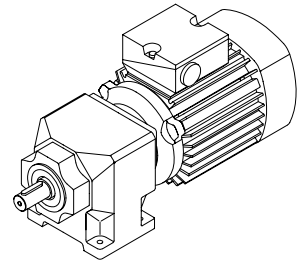
КЕВ



P	n2	M	cG	i	Fr	Fa	Тип	Размеры	Вес	
[кВт]	[1/мин]	[Нм]			[Н]	[Н]		Страница	[кг]	
0.12	21	54	1.1	66.35	2700	2930	G1.2A DL63K4	50	11	
	23	49	1.3	60.31	2640	2960	G1.2B DL63K4		10	
	24	47	1.3	58.38	2630	2970	G1.2C DL63K4		11	
	27	43	1.5	53.06	2570	2990				
	30	38	1.6	46.94	2500	3030				
	33	35	1.8	42.67	2440	3050				
	36	32	1.9	39.12	2390	3070				
	40	29	2.2	35.56	2330	3090				
	47	24	2.5	30.09	2230	3120				
	52	22	2.8	27.35	2170	3130				
	67	17	3.6	21.06	2030	3170				
	74	16	4.0	19.15	1970	3170				
	82	14	4.4	17.28	1920	3190				
	90	13	4.9	15.71	1860	3190				
	103	11	5.6	13.67	1790	3200				
	113	10	6.2	12.42	1740	3210				
	125	9.2	6.8	11.28	1690	3220				
	137	8.3	7.6	10.26	1640	3220				
	164	7.0	8.9	8.59	1560	3230				
	181	6.3	9.9	7.81	1510	3230				
	195	5.9	10.7	7.22	1480	3240				
	210	5.5	11.3	6.73	1440	3240				
	231	5.0	12.7	6.12	1400	3240				
	247	4.6	13.3	5.72	1370	3150				
	275	4.2	14.9	5.13	1330	2980				
	302	3.8	16.6	4.66	1290	2840				
	323	3.5	17.5	4.36	1260	2750				
	356	3.2	19.6	3.96	1220	2630				
382	3.0	20.7	3.69	1200	2550					
420	2.7	23.1	3.36	1160	2440					
0.18	0.14	11860	0.8	9727.7	55500	229100	G8.3/G3.2A DL63G4	57/58	246	
	0.17	10250	0.9	8406.3	55500	218200	G8.3/G3.2B DL63G4		246	
	0.19	9240	1.0	7577.4	55500	210900	G8.3/G3.2C DL63G4		263	
	0.21	8310	1.1	6815.9	55500	203700				
	0.23	7490	1.2	6143.8	55500	196900				
	0.28	6110	1.5	5009.7	55500	184300				
	0.31	5510	1.7	4515.7	55500	178300				
	0.35	4930	1.9	4040.9	55500	172000				
	0.39	4440	2.1	3642.4	55500	166400				
	0.41	4150	2.2	3408.0	55500	163000				
	0.46	3750	2.5	3071.9	55500	157700				
	0.55	3120	2.9	2556.0	55500	148800				
	0.30	5640	0.8	4624.3	43800	105500	G7.3/G3.2A DL63G4		56/58	155
	0.34	5080	0.9	4168.3	43800	101800	G7.3/G3.2B DL63G4			155
	0.38	4550	1.0	3730.0	43800	98000	G7.3/G3.2C DL63G4			163
0.42	4100	1.2	3362.2	43800	94600					
0.45	3840	1.2	3145.8	43800	92500					
0.50	3460	1.4	2835.5	43800	89300					
0.60	2880	1.6	2359.3	43800	84100					
0.66	2590	1.8	2126.7	43800	81300					
0.71	2430	1.9	1992.3	43800	79500					
0.79	2190	2.2	1795.8	43800	76900					

Двигатели с косозубыми редукторами G

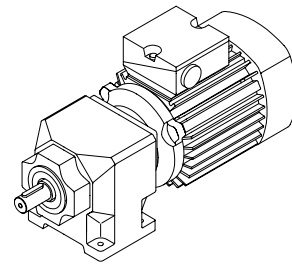
КЕВ



P	n2	M	cG	i	Fr	Fa	Тип	Размеры	Вес
[кВт]	[1/мин]	[Нм]			[Н]	[Н]		Страница	[кг]
0.18	0.59	2920	0.8	2396.9	27000	53300	G6.3/G1.2A DL63G4	55/58	101
	0.65	2660	0.9	2178.5	27000	52400	G6.3/G1.2B DL63G4		101
	0.72	2400	1.0	1966.5	27000	51400	G6.3/G1.2C DL63G4		107
	0.79	2180	1.1	1787.3	27000	50500			
	0.91	1900	1.2	1555.6	27000	49100			
	1.00	1720	1.3	1413.8	27000	48100			
	1.1	1570	1.5	1284.1	27000	47100			
	1.2	1420	1.6	1167.1	27000	46100			
	1.4	1190	1.9	977.67	27000	44300			
	1.6	1080	2.1	888.58	27000	43300			
	1.8	935	2.5	765.78	27000	41800			
	2.0	850	2.7	696.00	27000	40800			
	1.2	1480	0.8	1212.1	14600	14400	G5.3/G1.2A DL63G4	54/58	65
	1.3	1340	0.9	1101.7	14600	14800	G5.3/G1.2B DL63G4		65
	1.4	1220	1.0	1000.6	14600	15200	G5.3/G1.2C DL63G4		69
	1.6	1110	1.1	909.40	14600	15500			
	1.9	930	1.3	761.82	14600	16100			
	2.0	845	1.4	692.40	14600	16400			
	2.4	725	1.6	596.71	14600	16700			
	2.6	660	1.8	542.33	14600	16900			
2.0	880	1.4	722.000	14600	16300	G5.3A DL63G4	54	60	
2.2	785	1.4	644.21	14600	16500	G5.3B DL63G4		60	
2.4	710	1.7	582.67	14600	16800	G5.3C DL63G4		63	
2.7	635	1.8	519.89	14600	17000				
2.9	585	2.0	481.33	14600	17200				
3.3	525	2.2	429.47	14600	17400				
3.8	455	2.6	373.67	14600	17600				
4.2	405	2.8	333.41	14600	17700				
2.3	750	0.8	616.15	9200	9050	G4.2/G1.2A DL63G4	53/58	36	
2.5	685	0.9	560.00	9200	9320	G4.2/G1.2B DL63G4		32	
3.0	570	1.1	469.12	9200	9760	G4.2/G1.2C DL63G4		34	
3.3	520	1.2	426.37	9200	9960				
3.8	450	1.4	367.45	9200	10200				
4.2	405	1.5	333.96	9200	10400				
2.4	715	0.8	588.47	9200	9240	G4.3A DL63G4	53	34	
2.7	640	0.8	525.06	9200	9490	G4.3B DL63G4		30	
3.0	575	1.0	473.200	9200	9780	G4.3C DL63G4		32	
3.3	515	1.0	422.22	9200	9980				
3.6	480	1.2	394.33	9200	10100				
4.0	430	1.2	351.85	9200	10300				
4.6	370	1.5	303.33	9200	10600				
5.2	330	1.5	270.65	9200	10700				
6.6	260	2.2	212.33	9200	11000				
7.4	230	2.2	189.46	9200	11100				
8.1	210	2.7	174.200	9200	11200				
9.1	189	2.7	155.43	9200	11300				
5.1	335	0.8	274.32	5500	6430	G3.2/G1.2A DL63G4	52/58	24	
						G3.2/G1.2B DL63G4		22	
						G3.2/G1.2C DL63G4		23	
5.3	325	0.8	173.74	5500	6510	G3.3A DL71K6	52	22	
5.9	290	0.9	156.60	5500	6630	G3.3B DL71K6		20	
						G3.3C DL71K6		21	

Двигатели с косозубыми редукторами G

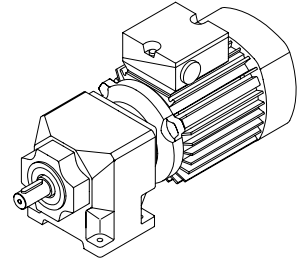
КЕВ



P	n2	M	cG	i	Fr	Fa	Тип	Размеры	Вес
[кВт]	[1/мин]	[Нм]			[Н]	[Н]		Страница	[кг]
0.18	6.3	270	0.9	222.22	5500	6750	G3.3A DL63G4	52	22
	7.0	245	1.0	200.31	5500	6850	G3.3B DL63G4		20
	8.1	210	1.2	173.74	5500	7020	G3.3C DL63G4		21
	9.0	191	1.3	156.60	5500	7100			
	10.0	172	1.5	141.41	5500	7200			
	11	155	1.6	127.47	5500	7270			
	13	128	2.0	105.05	5500	7410			
	15	115	2.2	94.69	5500	7460			
	17	99	2.6	80.81	5500	7540			
	19	89	2.9	72.84	5500	7580			
	20	84	2.8	69.09	5500	7610	G3.2A DL63G4	52	19
	23	76	2.8	62.28	5500	7640	G3.2B DL63G4		17
							G3.2C DL63G4		18
	14	126	0.9	67.94	4250	5090	G2.2A DL71K6	51	14
	15	114	0.9	61.22	4250	5150	G2.2B DL71K6		12
	17	102	1.1	54.83	4250	5230	G2.2C DL71K6		13
	19	92	1.3	49.41	4250	5270			
	21	83	1.4	67.94	4250	5330	G2.2A DL63G4	51	14
	23	75	1.4	61.22	4250	5370	G2.2B DL63G4		12
	26	67	1.8	54.83	4250	5420	G2.2C DL63G4		13
	29	60	2.0	49.41	4250	5450			
	31	55	2.1	45.29	4250	5490			
	35	50	2.5	40.81	4250	5510			
	40	43	2.7	35.16	4250	5560			
	21	81	0.8	66.35	2440	2760	G1.2A DL63G4	50	11
	23	74	0.9	60.31	2400	2800	G1.2B DL63G4		10
	24	71	0.9	58.38	2400	2820	G1.2C DL63G4		11
	27	65	1.0	53.06	2360	2850			
	30	57	1.1	46.94	2320	2910			
	33	52	1.2	42.67	2270	2940			
	36	48	1.3	39.12	2240	2970			
	40	43	1.5	35.56	2190	2990			
47	37	1.7	30.09	2120	3040				
52	33	1.9	27.35	2070	3060				
67	26	2.4	21.06	1950	3110				
74	23	2.7	19.15	1900	3120				
82	21	2.9	17.28	1850	3140				
90	19	3.3	15.71	1800	3150				
103	17	3.7	13.67	1740	3170				
113	15	4.2	12.42	1690	3180				
125	14	4.5	11.28	1650	3190				
137	13	5.0	10.26	1600	3190				
164	10	5.9	8.59	1520	3210				
181	9.5	6.6	7.81	1480	3210				
195	8.8	7.2	7.22	1450	3220				
210	8.2	7.6	6.73	1420	3220				
231	7.5	8.4	6.12	1380	3200				
247	7.0	8.9	5.72	1350	3100				
275	6.3	9.9	5.13	1310	2930				
302	5.7	11.1	4.66	1270	2800				
323	5.3	11.7	4.36	1240	2720				
356	4.8	13.0	3.96	1210	2600				
382	4.5	13.8	3.69	1180	2520				
420	4.1	15.4	3.36	1150	2410				

Двигатели с косозубыми редукторами G

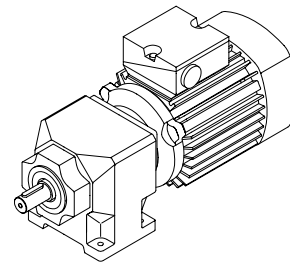
КЕВ



P	n2	M	cG	i	Fr	Fa	Тип	Размеры	Вес	
[кВт]	[1/мин]	[Нм]			[Н]	[Н]		Страница	[кг]	
0.25	0.20	11750	0.8	6815.9	55500	208000	G8.3/G3.2A DL71K4	57/58	246	
	0.23	10590	0.9	6143.8	55500	200900	G8.3/G3.2B DL71K4			
	0.28	8640	1.1	5009.7	55500	187700	G8.3/G3.2C DL71K4			
	0.31	7780	1.2	4515.7	55500	181400				
	0.34	6970	1.3	4040.9	55500	174900				
	0.38	6280	1.5	3642.4	55500	169100				
	0.41	5870	1.6	3408.0	55500	165500				
	0.45	5300	1.7	3071.9	55500	160000				
	0.54	4410	2.1	2556.0	55500	150800				
	0.60	3970	2.3	2303.9	55500	145900				
	0.64	3720	2.5	2158.4	55500	142900				
	0.71	3350	2.7	1945.5	55500	138300				
	0.41	5800	0.8	3362.2	43800	97100	G7.3/G3.2A DL71K4			56/58
	0.44	5420	0.9	3145.8	43800	94900	G7.3/G3.2B DL71K4			
	0.49	4890	1.0	2835.5	43800	91500	G7.3/G3.2C DL71K4			
	0.59	4070	1.2	2359.3	43800	86000				
	0.65	3670	1.3	2126.7	43800	83000				
	0.70	3430	1.4	1992.3	43800	81200				
	0.77	3100	1.5	1795.8	43800	78400				
	1.3	1780	2.7	1035.3	43800	65400				
	1.5	1610	2.9	933.22	43800	63300				
	0.89	2680	0.9	1555.6	27000	46700	G6.3/G1.2A DL71K4	55/58	101	
	0.98	2440	0.9	1413.8	27000	45900	G6.3/G1.2B DL71K4			
	1.1	2210	1.0	1284.1	27000	45200	G6.3/G1.2C DL71K4			
	1.2	2010	1.1	1167.1	27000	44400				
	1.4	1690	1.4	977.67	27000	42900				
	1.6	1530	1.5	888.58	27000	42000				
1.8	1320	1.7	765.78	27000	40700					
2.0	1200	1.9	696.00	27000	39800					
1.5	1570	0.8	909.40	14600	14100	G5.3/G1.2A DL71K4	54/58			65
1.8	1310	0.9	761.82	14600	14900	G5.3/G1.2B DL71K4				
2.0	1190	1.0	692.40	14600	15300	G5.3/G1.2C DL71K4				
2.3	1030	1.2	596.71	14600	15800					
2.6	935	1.3	542.33	14600	16100					
1.9	1240	1.0	722.000	14600	15200	G5.3A DL71K4				
2.1	1110	1.0	644.21	14600	15500	G5.3B DL71K4	54	60		
2.4	1000	1.2	582.67	14600	15900	G5.3C DL71K4				
2.7	895	1.3	519.89	14600	16200					
2.9	830	1.4	481.33	14600	16400					
3.2	740	1.6	429.47	14600	16700					
3.7	645	1.8	373.67	14600	17000					
4.2	575	2.0	333.41	14600	17200					
4.6	525	2.3	304.000	14600	17400					
5.1	470	2.5	271.25	14600	17500					
3.2	735	0.8	426.37	9200	9120	G4.2/G1.2A DL71K4			53/58	36
3.8	635	1.0	367.45	9200	9520	G4.2/G1.2B DL71K4				
4.1	575	1.1	333.96	9200	9740	G4.2/G1.2C DL71K4				

Двигатели с косозубыми редукторами G

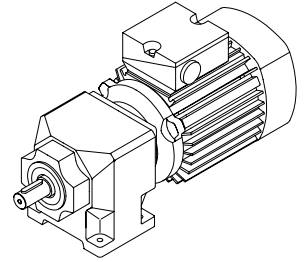
КЕВ



P	n2	M	cG	i	Fr	Fa	Тип	Размеры	Вес	
[кВт]	[1/мин]	[Нм]			[Н]	[Н]		Страница	[кг]	
0.25	3.5	680	0.8	394.33	9200	9380	G4.3A DL71K4	53	34	
	3.9	605	0.8	351.85	9200	9620	G4.3B DL71K4		30	
	4.6	525	1.1	303.33	9200	9990	G4.3C DL71K4		32	
	5.1	465	1.1	270.65	9200	10200				
	6.5	365	1.6	212.33	9200	10600				
	7.3	325	1.6	189.46	9200	10700				
	8.0	300	1.9	174.200	9200	10800				
	8.9	270	1.9	155.43	9200	10900				
	10	240	2.4	137.800	9200	11100				
	11	210	2.4	122.95	9200	11200				
	12	196	2.9	113.750	9200	11200				
	14	175	2.9	101.49	9200	11300				
	8.0	300	0.9	173.74	5500	6620	G3.3A DL71K4		52	22
	8.8	270	0.9	156.60	5500	6730	G3.3B DL71K4			20
9.8	245	1.1	141.41	5500	6870	G3.3C DL71K4	21			
11	220	1.2	127.47	5500	6970					
13	181	1.4	105.05	5500	7160					
15	163	1.6	94.69	5500	7230					
17	139	1.8	80.81	5500	7360					
19	126	2.0	72.84	5500	7410					
20	119	2.0	69.09	5500	7450	G3.2A DL71K4	52	19		
22	107	2.0	62.28	5500	7500	G3.2B DL71K4		17		
24	99	2.6	57.58	5500	7540	G3.2C DL71K4		18		
27	89	2.8	51.90	5500	7580					
17	143	0.8	54.83	4250	4990	G2.2A DL71G6	51	14		
19	129	0.9	49.41	4250	5060	G2.2B DL71G6		13		
						G2.2C DL71G6		14		
20	117	1.0	67.94	4250	5140	G2.2A DL71K4	51	14		
23	106	1.0	61.22	4250	5190	G2.2B DL71K4		12		
25	95	1.2	54.83	4250	5270	G2.2C DL71K4		13		
28	85	1.4	49.41	4250	5310					
31	78	1.5	45.29	4250	5360					
34	70	1.7	40.81	4250	5400					
39	61	1.9	35.16	4250	5460					
44	55	2.2	31.69	4200	5490					
48	49	2.4	28.61	4090	5520					
54	44	2.7	25.78	3980	5550					

Двигатели с косозубыми редукторами G

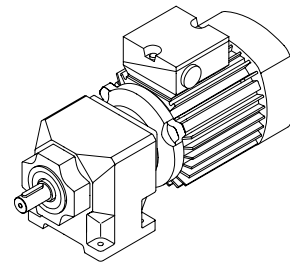
КЕВ



P	n2	M	cG	i	Fr	Fa	Тип	Размеры	Вес
[кВт]	[1/мин]	[Нм]			[Н]	[Н]		Страница	[кг]
0.25									
30	81	0.8	46.94	2110	2760	G1.2A DL71K4	50	11	
32	74	0.9	42.67	2080	2800	G1.2B DL71K4		10	
35	67	0.9	39.12	2070	2840	G1.2C DL71K4		11	
39	61	1.0	35.56	2040	2880				
46	52	1.2	30.09	1990	2940				
51	47	1.3	27.35	1950	2970				
66	36	1.7	21.06	1860	3040				
72	33	1.9	19.15	1820	3060				
80	30	2.1	17.28	1780	3080				
88	27	2.3	15.71	1740	3100				
101	24	2.6	13.67	1680	3120				
111	21	2.9	12.42	1640	3140				
123	19	3.2	11.28	1600	3150				
135	18	3.6	10.26	1560	3160				
161	15	4.2	8.59	1490	3180				
177	13	4.7	7.81	1450	3190				
192	12	5.1	7.22	1420	3190				
206	12	5.3	6.73	1400	3200				
226	11	6.0	6.12	1360	3170				
242	9.9	6.3	5.72	1330	3060				
270	8.8	7.0	5.13	1290	2910				
297	8.0	7.8	4.66	1250	2780				
318	7.5	8.2	4.36	1230	2700				
350	6.8	9.2	3.96	1200	2580				
375	6.4	9.7	3.69	1170	2510				
413	5.8	10.9	3.36	1140	2400				
0.37									
0.31	11560	0.8	4515.7	55500	185200	G8.3/G3.2A DL71G4	57/58	247	
0.34	10350	0.9	4040.9	55500	178300	G8.3/G3.2B DL71G4		247	
0.38	9330	1.0	3642.4	55500	172200	G8.3/G3.2C DL71G4		264	
0.40	8730	1.1	3408.0	55500	168400				
0.45	7870	1.2	3071.9	55500	162600				
0.54	6540	1.4	2556.0	55500	153000				
0.60	5900	1.6	2303.9	55500	147900				
0.64	5530	1.7	2158.4	55500	144800				
0.71	4980	1.8	1945.5	55500	140000				
0.58	6040	0.8	2359.3	43800	88400	G7.3/G3.2A DL71G4	56/58	156	
0.65	5450	0.9	2126.7	43800	85200	G7.3/G3.2B DL71G4		156	
0.69	5100	0.9	1992.3	43800	83300	G7.3/G3.2C DL71G4		164	
0.77	4600	1.0	1795.8	43800	80300				
1.3	2650	1.8	1035.3	43800	66600				
1.5	2390	2.0	933.22	43800	64300				
1.8	1990	2.4	776.48	43800	60500				
2.0	1790	2.6	699.91	43800	58500				
2.1	1680	2.8	655.70	43800	57300				
1.2	2990	0.8	1167.1	27000	41000	G6.3/G1.2A DL71G4	55/58	102	
1.4	2500	0.9	977.67	27000	40100	G6.3/G1.2B DL71G4		102	
1.6	2280	1.0	888.58	27000	39500	G6.3/G1.2C DL71G4		108	
1.8	1960	1.2	765.78	27000	38500				
2.0	1780	1.3	696.00	27000	37800				
2.3	1530	0.8	596.71	14600	14200	G5.3/G1.2A DL71G4	54/58	66	
2.5	1390	0.9	542.33	14600	14600	G5.3/G1.2B DL71G4		66	
						G5.3/G1.2C DL71G4		70	

Двигатели с косозубыми редукторами G

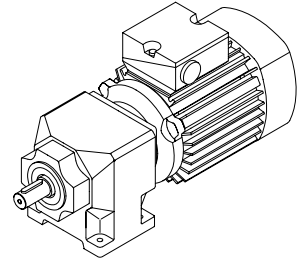
КЕВ



P	n2	M	cG	i	Fr	Fa	Тип	Размеры	Вес	
[кВт]	[1/мин]	[Нм]			[Н]	[Н]		Страница	[кг]	
0.37	2.4	1490	0.8	582.67	14600	14400	G5.3A DL71G4	54	61	
	2.7	1330	0.9	519.89	14600	14800	G5.3B DL71G4		61	
	2.9	1230	1.0	481.33	14600	15200	G5.3C DL71G4		64	
	3.2	1100	1.1	429.47	14600	15500				
	3.7	955	1.2	373.67	14600	16100				
	4.1	855	1.4	333.41	14600	16300				
	4.5	780	1.5	304.000	14600	16600				
	5.1	695	1.7	271.25	14600	16800				
	6.4	555	2.1	217.14	14600	17300				
	7.1	495	2.3	193.75	14600	17400				
	7.8	450	2.6	176.43	14600	17600				
	8.8	405	2.9	157.42	14600	17700				
	6.5	545	1.0	212.33	9200	9910	G4.3A DL71G4		53	35
	7.3	485	1.0	189.46	9200	10100	G4.3B DL71G4			31
	7.9	445	1.3	174.200	9200	10300	G4.3C DL71G4			33
	8.9	400	1.3	155.43	9200	10400				
	10	355	1.6	137.800	9200	10600				
	11	315	1.6	122.95	9200	10800				
12	290	2.0	113.750	9200	10900					
14	260	2.0	101.49	9200	11000					
16	220	2.6	86.61	9200	11100					
18	198	2.6	77.28	9200	11200					
11	325	0.8	127.47	5500	6470	G3.3A DL71G4	52	23		
13	270	1.0	105.05	5500	6760	G3.3B DL71G4		21		
15	240	1.1	94.69	5500	6860	G3.3C DL71G4		22		
17	205	1.2	80.81	5500	7040					
19	187	1.4	72.84	5500	7120					
20	177	1.4	69.09	5500	7180	G3.2A DL71G4	52	20		
22	159	1.3	62.28	5500	7250	G3.2B DL71G4		18		
24	147	1.7	57.58	5500	7320	G3.2C DL71G4		19		
27	133	1.9	51.90	5500	7380					
31	115	2.2	44.85	5500	7470					
34	104	2.5	40.43	5500	7510					
38	93	2.7	36.36	5390	7570					
25	140	0.8	54.83	4250	5010	G2.2A DL71G4	51	14		
28	127	1.0	49.41	4250	5070	G2.2B DL71G4		13		
30	116	1.0	45.29	4250	5150	G2.2C DL71G4		14		
34	105	1.2	40.81	4200	5200					
39	90	1.3	35.16	4090	5290					
44	81	1.5	31.69	3990	5330					
48	73	1.6	28.61	3900	5390					
54	66	1.8	25.78	3800	5420					
68	52	2.2	20.43	3600	5510					
75	47	2.6	18.41	3500	5530					
83	43	2.8	16.60	3410	5560					

Двигатели с косозубыми редукторами G

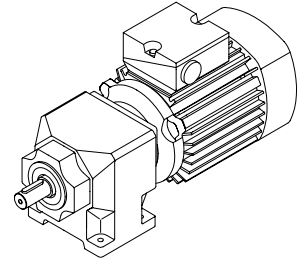
КЕВ



P	n2	M	cG	i	Fr	Fa	Тип	Размеры	Вес
[кВт]	[1/мин]	[Нм]			[Н]	[Н]		Страница	[кг]
0.37									
	46	77	0.8	30.09	1760	2780	G1.2A DL71G4	50	11
	50	70	0.9	27.35	1740	2820	G1.2B DL71G4		11
	66	54	1.1	21.06	1700	2930	G1.2C DL71G4		11
	72	49	1.3	19.15	1670	2960			
	80	44	1.4	17.28	1650	2990			
	88	40	1.6	15.71	1610	3010			
	101	35	1.8	13.67	1580	3050			
	111	32	2.0	12.42	1540	3070			
	122	29	2.1	11.28	1520	3090			
	135	26	2.4	10.26	1480	3100			
	161	22	2.8	8.59	1430	3130			
	177	20	3.2	7.81	1390	3150			
	191	18	3.4	7.22	1370	3150			
	205	17	3.6	6.73	1340	3160			
	226	16	4.0	6.12	1310	3060			
	241	15	4.2	5.72	1290	2970			
	269	13	4.7	5.13	1250	2830			
	296	12	5.3	4.66	1220	2710			
	317	11	5.6	4.36	1200	2630			
	348	10	6.2	3.96	1170	2520			
	374	9.5	6.6	3.69	1140	2450			
	411	8.6	7.3	3.36	1110	2350			
0.55									
	0.45	11610	0.8	3071.9	55500	165900	G8.3/G3.2A DA80K4	57/58	250
	0.54	9660	1.0	2556.0	55500	155700	G8.3/G3.2B DA80K4		250
	0.60	8710	1.1	2303.9	55500	150300	G8.3/G3.2C DA80K4		266
	0.64	8160	1.1	2158.4	55500	147000			
	0.71	7350	1.2	1945.5	55500	142000			
	1.3	4020	2.3	1062.6	55500	116400			
	1.5	3620	2.5	957.79	55500	112600			
	1.7	3010	3.0	796.93	55500	106100			
	1.3	3910	1.2	1035.3	43800	68000	G7.3/G3.2A DA80K4	56/58	159
	1.5	3530	1.3	933.22	43800	65600	G7.3/G3.2B DA80K4		159
	1.8	2930	1.6	776.48	43800	61500	G7.3/G3.2C DA80K4		167
	2.0	2640	1.8	699.91	43800	59400			
	2.1	2480	1.9	655.70	43800	58100			
	2.4	2230	2.1	591.04	43800	56100			
	1.8	2890	0.8	765.78	27000	35200	G6.3/G1.2A DA80K4	55/58	105
	2.0	2630	0.9	696.00	27000	34800	G6.3/G1.2B DA80K4		105
							G6.3/G1.2C DA80K4		110
	2.0	2580	0.9	682.73	27000	34900	G6.3A DA80K4	55	99
	2.3	2300	0.9	609.38	27000	34200	G6.3B DA80K4		99
	2.4	2150	1.0	568.94	27000	34000	G6.3C DA80K4		104
	2.7	1920	1.2	507.82	27000	33300			
	3.1	1670	1.3	443.18	27000	32700			
	3.5	1490	1.5	395.56	27000	31900			
	3.9	1360	1.7	359.33	27000	31400			
	4.3	1210	1.8	320.73	27000	30600			
	5.3	1000	2.3	264.110	27000	29500			
	5.9	890	2.5	235.73	27000	28700			
	6.5	805	2.8	213.03	27000	28100			

Двигатели с косозубыми редукторами G

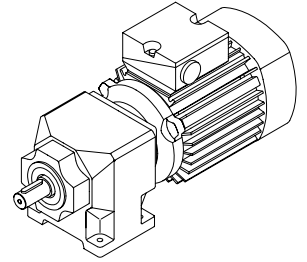
КЕВ



P	n2	M	cG	i	Fr	Fa	Тип	Размеры	Вес	
[кВт]	[1/мин]	[Нм]			[Н]	[Н]		Страница	[кг]	
0.55	3.7	1410	0.8	373.67	14600	14700	G5.3A DA80K4	54	64	
	4.2	1260	0.9	333.41	14600	15000	G5.3B DA80K4		64	
	4.6	1150	1.0	304.000	14600	15500	G5.3C DA80K4		67	
	5.1	1020	1.1	271.25	14600	15800				
	6.4	820	1.5	217.14	14600	16500				
	7.2	730	1.6	193.75	14600	16700				
	7.9	665	1.8	176.43	14600	16900				
	8.8	595	1.9	157.42	14600	17100				
	9.4	555	2.1	147.250	14600	17300				
	11	495	2.3	131.38	14600	17400				
	12	425	2.8	112.03	14600	17700				
	8.0	660	0.9	174.200	9200	9470	G4.3A DA80K4		53	38
	8.9	585	0.9	155.43	9200	9700	G4.3B DA80K4			34
	10	520	1.1	137.800	9200	10000	G4.3C DA80K4			36
11	465	1.1	122.95	9200	10200					
12	430	1.3	113.750	9200	10300					
14	385	1.3	101.49	9200	10500					
16	325	1.7	86.61	9200	10700					
18	290	1.7	77.28	9200	10900					
20	255	2.2	67.84	9200	11000					
23	230	2.2	60.53	9200	11100					
27	195	2.9	51.73	9200	11200					
30	174	2.9	46.15	8920	11300					
20	265	1.6	69.600	9200	11000	G4.2A DA80K4	53	34		
22	235	1.6	62.10	9200	11100	G4.2B DA80K4		30		
25	205	2.4	54.600	9200	11200	G4.2C DA80K4		32		
29	184	2.5	48.72	9040	11300					
31	168	3.0	44.400	8840	11400					
17	305	0.8	80.81	5500	6590	G3.3A DA80K4	52	26		
19	275	0.9	72.84	5500	6710	G3.3B DA80K4		24		
						G3.3C DA80K4		25		
20	260	0.9	69.09	5500	6790	G3.2A DA80K4	52	23		
22	235	0.9	62.28	5500	6890	G3.2B DA80K4		21		
24	220	1.2	57.58	5500	6990	G3.2C DA80K4		22		
27	196	1.3	51.90	5430	7080					
31	169	1.5	44.85	5300	7220					
34	153	1.7	40.43	5180	7280					
38	137	1.9	36.36	5080	7370					
42	124	2.1	32.78	4960	7420					
52	101	2.5	26.73	4740	7530					
58	91	2.8	24.09	4610	7570					
34	154	0.8	40.81	3780	4920	G2.2A DA80K4	51	18		
40	133	0.9	35.16	3720	5050	G2.2B DA80K4		16		
44	120	1.0	31.69	3650	5110	G2.2C DA80K4		17		
49	108	1.1	28.61	3610	5190					
54	97	1.3	25.78	3530	5240					
68	77	1.5	20.43	3380	5360					
75	70	1.8	18.41	3300	5400					
84	63	1.9	16.60	3230	5450					
93	57	2.2	14.96	3150	5480					
100	52	2.2	13.86	3100	5500					
111	47	2.6	12.49	3020	5530					
132	40	2.9	10.54	2900	5580					

Двигатели с косозубыми редукторами G

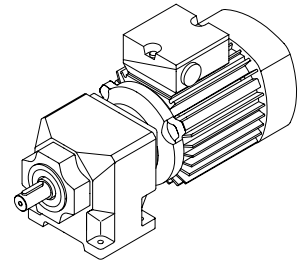
КЕВ



P	n2	M	cG	i	Fr	Fa	Тип	Размеры	Вес
[кВт]	[1/мин]	[Нм]			[Н]	[Н]		Страница	[кг]
0.55									
66	80	0.8	21.06	1450	2770	G1.2A DA80K4	50	14	
73	72	0.9	19.15	1440	2800	G1.2B DA80K4		14	
80	65	0.9	17.28	1440	2860	G1.2C DA80K4		14	
88	59	1.1	15.71	1430	2890				
102	52	1.2	13.67	1420	2940				
112	47	1.3	12.42	1400	2970				
123	43	1.5	11.28	1380	3000				
136	39	1.6	10.26	1360	3020				
162	32	1.9	8.59	1320	3070				
178	30	2.1	7.81	1300	3080				
193	27	2.3	7.22	1280	3100				
207	25	2.4	6.73	1260	3010				
227	23	2.7	6.12	1240	2890				
243	22	2.9	5.72	1220	2810				
271	19	3.2	5.13	1190	2690				
298	18	3.6	4.66	1160	2580				
319	16	3.8	4.36	1150	2520				
351	15	4.2	3.96	1120	2420				
376	14	4.4	3.69	1100	2360				
414	13	5.0	3.36	1070	2270				
0.75									
0.61	11700	0.8	2303.9	55500	152500	G8.3/G3.2A DA80G4	57/58	252	
0.65	10960	0.8	2158.4	55500	149100	G8.3/G3.2B DA80G4		252	
0.72	9880	0.9	1945.5	55500	143800	G8.3/G3.2C DA80G4		269	
1.3	5400	1.7	1062.6	55500	117200				
1.5	4870	1.9	957.79	55500	113300				
1.8	4050	2.3	796.93	55500	106700				
2.0	3650	2.5	718.34	55500	103100				
2.1	3420	2.7	672.96	55500	101000				
2.3	3080	3.0	606.60	55500	97700				
1.4	5260	0.9	1035.3	43800	69300	G7.3/G3.2A DA80G4	56/58	161	
1.5	4740	1.0	933.22	43800	66800	G7.3/G3.2B DA80G4		161	
1.8	3940	1.2	776.48	43800	62500	G7.3/G3.2C DA80G4		169	
2.0	3560	1.3	699.91	43800	60300				
2.2	3330	1.4	655.70	43800	58900				
2.4	3000	1.6	591.04	43800	56800				
2.5	2890	0.8	568.94	27000	31300	G6.3A DA80G4	55	101	
2.8	2580	0.9	507.82	27000	30800	G6.3B DA80G4		101	
3.2	2250	1.0	443.18	27000	30500	G6.3C DA80G4		106	
3.6	2010	1.1	395.56	27000	29900				
3.9	1830	1.2	359.33	27000	29700				
4.4	1630	1.4	320.73	27000	29000				
5.3	1340	1.7	264.110	27000	28100				
6.0	1200	1.9	235.73	27000	27500				
6.6	1080	2.1	213.03	27000	27000				
7.4	965	2.3	190.15	27000	26300				
7.8	915	2.5	179.67	27000	26000				
8.8	815	2.7	160.36	27000	25300				

Двигатели с косозубыми редукторами G

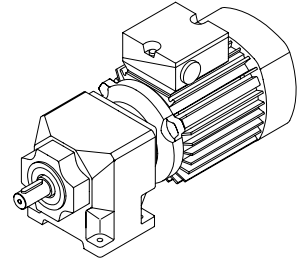
КЕВ



P	n2	M	cG	i	Fr	Fa	Тип	Размеры	Вес	
[кВт]	[1/мин]	[Нм]			[Н]	[Н]		Страница	[кг]	
0.75	4.6	1540	0.8	304.000	14600	14200	G5.3A DA80G4	54	66	
	5.2	1380	0.8	271.25	14600	14700	G5.3B DA80G4		66	
	6.5	1100	1.1	217.14	14600	15600	G5.3C DA80G4		69	
	7.3	985	1.2	193.75	14600	15900				
	8.0	895	1.3	176.43	14600	16200				
	9.0	800	1.4	157.42	14600	16500				
	9.6	750	1.6	147.250	14600	16700				
	11	665	1.7	131.38	14600	16900				
	13	570	2.1	112.03	14600	17200				
	14	510	2.3	99.96	14600	17400				
	16	450	2.6	88.67	14600	17600				
	18	400	2.9	79.11	14600	17700				
	10	700	0.8	137.800	9200	9300	G4.3A DA80G4		53	40
	11	625	0.8	122.95	9200	9550	G4.3B DA80G4			36
	12	580	1.0	113.750	9200	9780	G4.3C DA80G4			38
	14	515	1.0	101.49	9200	9980				
	16	440	1.3	86.61	9200	10300				
	18	395	1.3	77.28	9200	10500				
21	345	1.6	67.84	9200	10700					
23	305	1.6	60.53	9090	10800					
27	265	2.2	51.73	8800	11000					
31	235	2.2	46.15	8550	11100					
38	189	3.0	37.23	8130	11300					
42	169	3.0	33.22	7880	11300					
20	355	1.2	69.600	9200	10600	G4.2A DA80G4	53	36		
23	315	1.2	62.10	9140	10800	G4.2B DA80G4		32		
26	275	1.8	54.600	8910	10900	G4.2C DA80G4		34		
29	245	1.9	48.72	8660	11000					
32	225	2.2	44.400	8490	11100					
36	200	2.6	39.62	8240	11200					
43	167	3.0	32.940	7880	11400					
24	290	0.9	57.58	5010	6650	G3.2A DA80G4	52	25		
27	265	1.0	51.90	4940	6760	G3.2B DA80G4		23		
31	230	1.1	44.85	4890	6950	G3.2C DA80G4		24		
35	205	1.2	40.43	4800	7040					
39	185	1.4	36.36	4740	7150					
43	167	1.5	32.78	4640	7220					
53	136	1.9	26.73	4480	7370					
59	122	2.1	24.09	4380	7430					
65	110	2.3	21.56	4290	7490					
73	99	2.6	19.43	4180	7540					
78	92	2.8	18.18	4120	7570					
49	145	0.8	28.61	3280	4980	G2.2A DA80G4	51	20		
55	131	0.9	25.78	3230	5050	G2.2B DA80G4		18		
69	104	1.1	20.43	3150	5210	G2.2C DA80G4		19		
77	94	1.3	18.41	3080	5260					
85	84	1.4	16.60	3040	5320					
94	76	1.6	14.96	2970	5360					
102	70	1.7	13.86	2930	5400					
113	63	1.9	12.49	2860	5440					
134	54	2.2	10.54	2770	5500					
148	48	2.5	9.500	2700	5520					
169	42	2.8	8.34	2620	5560					

Двигатели с косозубыми редукторами G

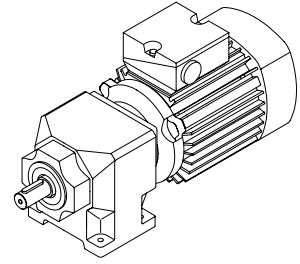
КЕВ



P	n2	M	cG	i	Fr	Fa	Тип	Размеры	Вес
[кВт]	[1/мин]	[Нм]			[Н]	[Н]		Страница	[кг]
0.75									
	90	80	0.8	15.71	1220	2760	G1.2A DA80G4	50	16
	103	69	0.9	13.67	1240	2830	G1.2B DA80G4		16
	113	63	1.0	12.42	1230	2860	G1.2C DA80G4		16
	125	57	1.1	11.28	1240	2910			
	137	52	1.2	10.26	1220	2940			
	164	44	1.4	8.59	1210	3000			
	181	40	1.6	7.81	1190	2940			
	195	37	1.7	7.22	1180	2860			
	210	34	1.8	6.73	1170	2800			
	231	31	2.0	6.12	1150	2700			
	247	29	2.1	5.72	1140	2640			
	275	26	2.4	5.13	1120	2540			
	302	24	2.7	4.66	1100	2450			
	323	22	2.8	4.36	1090	2400			
	356	20	3.1	3.96	1060	2310			
	382	19	3.3	3.69	1050	2260			
	420	17	3.7	3.36	1020	2180			
1.1									
	0.91	11520	0.8	1524.1	55500	136400	G8.3/G3.2A DA90S4	57/58	253
	1.0	10040	0.9	1329.1	55500	130000	G8.3/G3.2B DA90S4		253
	1.2	9050	1.0	1198.0	55500	125300	G8.3/G3.2C DA90S4		270
	1.3	8030	1.1	1062.6	55500	120200			
	1.5	7240	1.3	957.79	55500	116000			
	1.7	6020	1.5	796.93	55500	109000			
	1.9	5430	1.7	718.34	55500	105300			
	2.1	5090	1.8	672.96	55500	103000			
	2.3	4580	2.0	606.60	55500	99500			
	2.6	3980	2.3	527.20	55500	95000			
	2.9	3590	2.6	475.21	55500	91900			
	3.4	3130	2.9	414.40	55500	87900			
	1.8	5870	0.8	776.48	43800	65100	G7.3/G3.2A DA90S4	56/58	162
	2.0	5290	0.9	699.91	43800	62600	G7.3/G3.2B DA90S4		162
	2.1	4960	1.0	655.70	43800	61100	G7.3/G3.2C DA90S4		170
	2.4	4470	1.1	591.04	43800	58800			
	2.7	3880	1.2	513.67	43800	55900			
	3.0	3500	1.4	463.02	43800	53900			
	3.4	3050	1.6	403.77	43800	51400			
	3.8	2750	1.7	363.96	43800	49500			
	3.9	2720	0.8	359.33	27000	26800	G6.3A DA90S4	55	102
	4.3	2420	0.9	320.73	27000	26400	G6.3B DA90S4		102
	5.3	2000	1.1	264.110	27000	26000	G6.3C DA90S4		108
	5.9	1780	1.2	235.73	27000	25600			
	6.5	1610	1.4	213.03	27000	25300			
	7.3	1440	1.5	190.15	27000	24800			
	7.7	1360	1.7	179.67	27000	24600			
	8.7	1210	1.8	160.36	27000	24100			
	10	1020	2.2	134.750	27000	23400			
	12	910	2.4	120.27	27000	22800			
	12	860	2.6	113.79	27000	22600			
	14	770	2.9	101.56	27000	22000			

Двигатели с косозубыми редукторами G

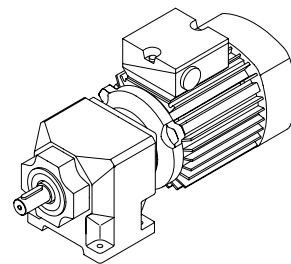
КЕВ



P	n2	M	cG	i	Fr	Fa	Тип	Размеры	Вес	
[кВт]	[1/мин]	[Нм]			[Н]	[Н]		Страница	[кг]	
1.1	7.9	1330	0.9	176.43	14600	14900	G5.3A DA90S4	54	67	
	8.8	1190	1.0	157.42	14600	15300	G5.3B DA90S4		67	
	9.4	1110	1.1	147.250	14600	15600	G5.3C DA90S4		71	
	11	995	1.2	131.38	14600	15900				
	12	845	1.4	112.03	14600	16400				
	14	755	1.5	99.96	14600	16600				
	16	670	1.8	88.67	14600	16900				
	17	615	1.9	81.43	14600	17100				
	18	600	1.9	79.11	14600	17100				
	19	545	2.2	72.200	14600	17300				
	22	485	2.4	64.42	14600	17500				
	23	455	2.6	60.45	14600	17600				
	26	405	2.9	53.74	14300	17700				
	16	655	0.9	86.61	8730	9480	G4.3A DA90S4		53	41
	18	585	0.9	77.28	8600	9710	G4.3B DA90S4			37
	20	515	1.1	67.84	8520	10000	G4.3C DA90S4			39
	23	455	1.1	60.53	8350	10200				
	20	525	0.8	69.600	8550	9970	G4.2A DA90S4		53	37
	22	470	0.8	62.10	8380	10200	G4.2B DA90S4			33
	25	415	1.2	54.600	8260	10400	G4.2C DA90S4			35
29	370	1.3	48.72	8070	10600					
31	335	1.5	44.400	7970	10700					
35	300	1.7	39.62	7770	10800					
42	250	2.0	32.940	7500	11000					
47	220	2.4	29.39	7290	11100					
50	210	2.4	28.080	7230	11200					
55	189	2.8	25.05	7020	11300					
61	172	2.9	22.725	6870	11300					
34	305	0.8	40.43	4150	6560	G3.2A DA90S4	52	27		
38	275	0.9	36.36	4170	6730	G3.2B DA90S4		25		
42	250	1.0	32.78	4120	6840	G3.2C DA90S4		26		
52	200	1.3	26.73	4070	7070					
58	182	1.4	24.09	4000	7140					
64	163	1.6	21.56	3950	7250					
72	147	1.7	19.43	3880	7310					
76	137	1.9	18.18	3850	7370					
85	124	2.1	16.39	3760	7420					
102	103	2.5	13.64	3640	7520					
113	93	2.8	12.29	3550	7560					
121	87	2.9	11.52	3510	7600					
84	125	0.9	16.60	2720	5090	G2.2A DA90S4	51	21		
93	113	1.1	14.96	2680	5150	G2.2B DA90S4		20		
100	105	1.1	13.86	2670	5210	G2.2C DA90S4		21		
111	94	1.3	12.49	2620	5260					
132	80	1.5	10.54	2570	5350					
146	72	1.7	9.500	2510	5390					
167	63	1.9	8.34	2460	5440					
185	57	2.1	7.52	2410	5470					
205	51	2.3	6.79	2360	5390					
227	46	2.6	6.12	2300	5140					
244	43	2.7	5.69	2270	5000					

Двигатели с косозубыми редукторами G

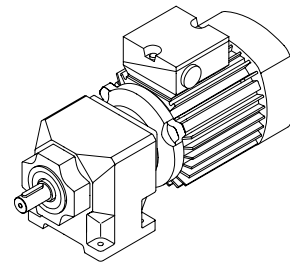
КЕВ



P	n2	M	cG	i	Fr	Fa	Тип	Размеры	Вес
[кВт]	[1/мин]	[Нм]			[Н]	[Н]		Страница	[кг]
1.5	1.3	10830	0.8	1062.6	55500	122500	G8.3/G3.2A DA90L4	57/58	256
	1.5	9770	0.9	957.79	55500	118100	G8.3/G3.2B DA90L4		256
	1.8	8130	1.1	796.93	55500	110700	G8.3/G3.2C DA90L4		272
	2.0	7320	1.3	718.34	55500	106800			
	2.1	6860	1.3	672.96	55500	104400			
	2.3	6180	1.5	606.60	55500	100700			
	2.7	5380	1.7	527.20	55500	96100			
	3.0	4850	1.9	475.21	55500	92800			
	3.4	4230	2.2	414.40	55500	88600			
	3.8	3810	2.4	373.54	55500	85600			
	2.4	6030	0.8	591.04	43800	60600	G7.3/G3.2A DA90L4	56/58	164
	2.7	5240	0.9	513.67	43800	57400	G7.3/G3.2B DA90L4		164
3.0	4720	1.0	463.02	43800	55200	G7.3/G3.2C DA90L4	173		
3.5	4120	1.1	403.77	43800	52500				
3.9	3710	1.3	363.96	43800	50500				
5.3	2690	0.8	264.110	27000	23600	G6.3A DA90L4	55	105	
6.0	2400	0.9	235.73	27000	23300	G6.3B DA90L4		105	
6.6	2170	1.0	213.03	27000	23300	G6.3C DA90L4		110	
7.4	1940	1.1	190.15	27000	22900				
7.8	1830	1.2	179.67	27000	22900				
8.8	1640	1.4	160.36	27000	22500				
10	1370	1.6	134.750	27000	22100				
12	1230	1.8	120.27	27000	21600				
12	1160	1.9	113.79	27000	21500				
14	1040	2.1	101.56	27000	21000				
16	910	2.5	89.14	27000	20500				
18	810	2.7	79.57	27000	20000				
9.5	1500	0.8	147.250	14600	14400	G5.3A DA90L4	54	69	
11	1340	0.9	131.38	14600	14800	G5.3B DA90L4		69	
13	1140	1.0	112.03	14600	15500	G5.3C DA90L4		73	
14	1020	1.1	99.96	14600	15800				
16	905	1.3	88.67	14600	16200				
17	830	1.4	81.43	14600	16400				
18	805	1.4	79.11	14600	16500				
19	735	1.6	72.200	14600	16700				
22	655	1.8	64.42	14200	16900				
23	615	1.9	60.45	14000	17100				
26	550	2.2	53.74	13700	17300				
29	490	2.4	47.95	13300	17500				
35	405	2.9	39.900	12800	17700				
20	710	1.3	69.600	14500	16800	G5.2A DA90L4	54	64	
23	635	1.3	62.10	14100	17000	G5.2B DA90L4		64	
25	580	1.7	57.000	13900	17200	G5.2C DA90L4		67	
28	520	1.7	50.86	13500	17400				
33	435	2.4	42.660	13000	17700				
37	390	2.8	38.06	12600	17800				
39	370	2.8	36.180	12400	17900				
21	690	0.8	67.84	7550	9340	G4.3A DA90L4	53	44	
23	615	0.8	60.53	7470	9580	G4.3B DA90L4		40	
						G4.3C DA90L4		42	

Двигатели с косозубыми редукторами G

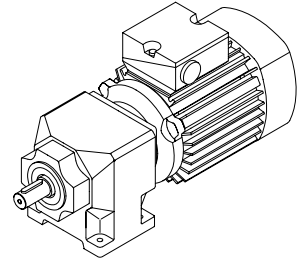
КЕВ



P	n2	M	cG	i	Fr	Fa	Тип	Размеры	Вес
[кВт]	[1/мин]	[Нм]			[Н]	[Н]		Страница	[кг]
1.5	26	555	0.9	54.600	7470	9860	G4.2A DA90L4	53	40
	29	495	0.9	48.72	7360	10100	G4.2B DA90L4		35
	32	455	1.1	44.400	7320	10300	G4.2C DA90L4		37
	35	405	1.3	39.62	7180	10400			
	43	335	1.5	32.940	7010	10700			
	48	300	1.7	29.39	6850	10800			
	50	285	1.8	28.080	6820	10900			
	56	255	2.0	25.05	6650	11000			
	62	230	2.2	22.725	6540	11100			
	69	205	2.3	20.28	6360	11200			
	82	174	2.9	17.100	6130	11300			
	43	335	0.8	32.78	3520	6430	G3.2A DA90L4	52	29
	53	275	0.9	26.73	3580	6740	G3.2B DA90L4		27
	58	245	1.0	24.09	3550	6850	G3.2C DA90L4		28
	65	220	1.2	21.56	3560	6980			
	72	198	1.3	19.43	3510	7070			
	77	185	1.4	18.18	3510	7140			
	86	167	1.5	16.39	3460	7210			
	103	139	1.8	13.64	3380	7360			
114	125	2.0	12.29	3320	7410				
122	117	2.2	11.52	3290	7460				
135	106	2.4	10.38	3220	7500				
156	92	2.8	9.02	3140	7240				
94	153	0.8	14.96	2340	4930	G2.2A DA90L4	51	23	
101	141	0.8	13.86	2360	5000	G2.2B DA90L4		22	
113	127	1.0	12.49	2340	5070	G2.2C DA90L4		23	
133	107	1.1	10.54	2330	5190				
148	97	1.3	9.500	2290	5240				
168	85	1.4	8.34	2270	5320				
187	77	1.6	7.52	2230	5200				
207	69	1.7	6.79	2200	5030				
229	62	2.0	6.12	2160	4820				
247	58	2.0	5.69	2140	4710				
278	52	2.3	5.06	2090	4510				
308	46	2.6	4.56	2040	4330				
374	38	3.1	3.75	1960	4050				
415	34	3.5	3.38	1910	3890				
2.2	1.7	12050	0.8	796.93	55500	114800	G8.3/G3.2A DA100L4	57/58	257
	1.9	10860	0.8	718.34	55500	110500	G8.3/G3.2B DA100L4		257
	2.1	10170	0.9	672.96	55500	107900	G8.3/G3.2C DA100L4		274
	2.3	9170	1.0	606.60	55500	103900			
	2.6	7970	1.2	527.20	55500	98800			
	2.9	7180	1.3	475.21	55500	95300			
	3.4	6260	1.5	414.40	55500	90800			
	3.7	5650	1.6	373.54	55500	87700			
	3.4	6100	0.8	403.77	43800	55100	G7.3/G3.2A DA100L4	56/58	166
	3.8	5500	0.9	363.96	43800	52900	G7.3/G3.2B DA100L4		166
							G7.3/G3.2C DA100L4		174

Двигатели с косозубыми редукторами G

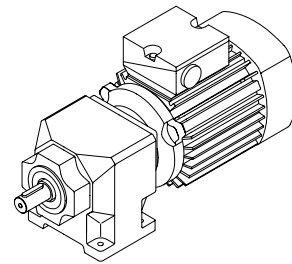
КЕВ



P	n2	M	cG	i	Fr	Fa	Тип	Размеры	Вес	
[кВт]	[1/мин]	[Нм]			[Н]	[Н]		Страница	[кг]	
2.2	7.7	2720	0.8	179.67	27000	20000	G6.3A DA100L4	55	106	
	8.7	2420	0.9	160.36	27000	19900	G6.3B DA100L4		106	
	10	2040	1.1	134.750	27000	19900	G6.3C DA100L4		112	
	12	1820	1.2	120.27	27000	19600				
	12	1720	1.3	113.79	27000	19700				
	14	1540	1.4	101.56	27000	19300				
	16	1350	1.7	89.14	27000	19100				
	17	1200	1.8	79.57	27000	18700				
	20	1060	2.1	70.070	27000	18500				
	22	945	2.3	62.54	27000	18000				
	27	790	2.8	52.360	27000	17500				
	16	1340	0.9	88.67	13600	14900	G5.3A DA100L4		54	71
	18	1200	1.0	79.11	13400	15200	G5.3B DA100L4 G5.3C DA100L4			71 74
	20	1050	0.8	69.600	13200	15800	G5.2A DA100L4		54	65
22	940	0.8	62.10	13000	16100	G5.2B DA100L4		65		
24	860	1.2	57.000	12900	16300	G5.2C DA100L4		68		
27	770	1.2	50.86	12600	16600					
33	645	1.6	42.660	12200	17000					
37	575	1.9	38.06	11900	17200					
38	545	1.9	36.180	11800	17300					
43	490	2.2	32.28	11500	17500					
48	440	2.3	29.250	11300	17600					
53	395	2.7	26.10	10900	17800					
61	345	2.9	22.725	10600	17900					
69	305	2.9	20.28	10300	18000					
35	600	0.9	39.62	6190	9650	G4.2A DA100L4	53	41		
42	500	1.0	32.940	6200	10100	G4.2B DA100L4		37		
47	445	1.2	29.39	6120	10300	G4.2C DA100L4		39		
50	425	1.2	28.080	6130	10400					
55	380	1.4	25.05	6030	10500					
61	345	1.5	22.725	5980	10700					
69	305	1.5	20.28	5860	10800					
81	260	1.9	17.100	5720	11000					
91	230	2.3	15.26	5580	11100					
105	200	2.5	13.275	5450	11200					
117	179	2.9	11.84	5310	11300					
120	176	2.9	11.63	5300	11300					
76	275	0.9	18.18	2930	6730	G3.2A DA100L4	52	30		
85	250	1.0	16.39	2930	6840	G3.2B DA100L4		28		
102	205	1.2	13.64	2950	7050	G3.2C DA100L4		29		
113	186	1.4	12.29	2930	7130					
121	174	1.5	11.52	2930	7190					
134	157	1.6	10.38	2890	6910					
154	136	1.9	9.02	2860	6640					
171	123	2.1	8.13	2810	6380					
196	107	2.4	7.09	2760	6120					
217	97	2.6	6.39	2710	5890					
3.0	2.7	10710	0.9	527.20	55500	101000	G8.3/G3.2A DA100LX4	57/58	264	
	3.0	9660	1.0	475.21	55500	97300	G8.3/G3.2B DA100LX4		264	
	3.4	8420	1.1	414.40	55500	92500	G8.3/G3.2C DA100LX4		280	
	3.8	7590	1.2	373.54	55500	89200				

Двигатели с косозубыми редукторами G

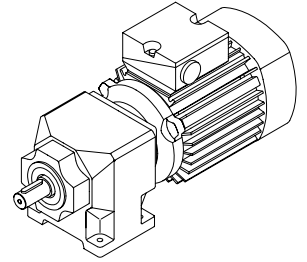
КЕВ



P	n2	M	cG	i	Fr	Fa	Тип	Размеры	Вес
[кВт]	[1/мин]	[Нм]			[Н]	[Н]		Страница	[кг]
3.0	4.3	6660	1.2	327.78	55500	85100	G8.3A DA100LX4	57	272
	4.8	5940	1.2	292.56	55500	81800	G8.3B DA100LX4		272
	5.8	4980	1.8	245.000	55500	76900	G8.3C DA100LX4		288
	6.4	4440	1.8	218.68	55500	74000			
	6.7	4270	2.0	210.000	55500	73000			
	7.5	3810	2.4	187.44	55500	70200			
	8.3	3470	2.5	170.83	55500	68100			
	9.2	3100	3.0	152.48	55500	65600			
	5.4	5260	0.9	259.09	43800	47900	G7.3A DA100LX4		56
6.1	4700	0.9	231.18	43800	45800	G7.3B DA100LX4	180		
7.3	3940	1.2	193.91	43800	42900	G7.3C DA100LX4	189		
8.1	3520	1.3	173.02	43800	41100				
8.6	3340	1.4	164.45	43800	40300				
9.6	2980	1.6	146.74	43800	38600				
11	2700	1.7	132.95	43800	37300				
12	2410	2.0	118.63	43800	35800				
14	2100	2.2	103.30	43800	34100				
15	1870	2.5	92.17	43800	32700				
17	1660	2.8	81.82	43800	31400				
10	2740	0.8	134.750	27000	17400	G6.3A DA100LX4	55	113	
12	2440	0.9	120.27	27000	17300	G6.3B DA100LX4		113	
12	2310	1.0	113.79	27000	17500	G6.3C DA100LX4		119	
14	2060	1.1	101.56	27000	17400				
16	1810	1.2	89.14	27000	17400				
18	1620	1.4	79.57	27000	17200				
20	1420	1.6	70.070	27000	17100				
23	1270	1.7	62.54	27000	16800				
27	1060	2.1	52.360	27000	16500				
30	950	2.3	46.73	27000	16200				
36	795	2.8	39.08	27000	15700				
20	1470	1.2	72.11	27000	17200	G6.2A DA100LX4		55	102
22	1310	1.2	64.36	27000	16900	G6.2B DA100LX4			102
26	1100	1.8	53.900	27000	16600	G6.2C DA100LX4	108		
29	980	1.8	48.11	27000	16200				
31	940	2.0	46.200	27000	16200				
34	840	2.4	41.24	27000	15800				
38	765	2.5	37.58	27000	15600				
42	680	3.0	33.55	27000	15200				
25	1160	0.9	57.000	11600	15400	G5.2A DA100LX4	54	72	
28	1030	0.9	50.86	11500	15800	G5.2B DA100LX4		72	
33	865	1.2	42.660	11300	16300	G5.2C DA100LX4		75	
37	775	1.4	38.06	11000	16600				
39	735	1.4	36.180	11000	16700				
44	655	1.6	32.28	10800	16900				
48	595	1.7	29.250	10600	17200				
54	530	2.0	26.10	10300	17300				
62	460	2.2	22.725	10100	17600				
70	410	2.2	20.28	9810	17700				
78	365	2.8	18.000	9570	17900				

Двигатели с косозубыми редукторами G

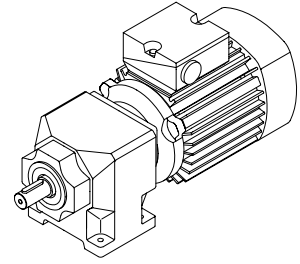
КЕВ



P	n2	M	cG	i	Fr	Fa	Тип	Размеры	Вес
[кВт]	[1/мин]	[Нм]			[Н]	[Н]		Страница	[кг]
3.0	48	595	0.9	29.39	5270	9660	G4.2A DA100LX4	53	48
	50	570	0.9	28.080	5330	9800	G4.2B DA100LX4		44
	56	510	1.0	25.05	5300	10000	G4.2C DA100LX4		46
	62	460	1.1	22.725	5330	10200			
	70	410	1.2	20.28	5270	10400			
	82	345	1.4	17.100	5230	10700			
	92	310	1.7	15.26	5130	10800			
	106	270	1.9	13.275	5060	11000			
	119	240	2.2	11.84	4950	11100			
	121	235	2.1	11.63	4960	11100			
	136	210	2.5	10.38	4840	10800			
	165	174	2.9	8.550	4680	10000			
	86	335	0.8	16.39	2330	6440	G3.2A DA100LX4	52	37
	103	275	0.9	13.64	2460	6400	G3.2B DA100LX4		35
	115	250	1.0	12.29	2480	6230	G3.2C DA100LX4		36
	122	235	1.1	11.52	2510	6220			
	136	210	1.2	10.38	2510	6050			
	156	183	1.4	9.02	2530	5920			
	173	165	1.5	8.13	2510	5740			
	199	144	1.8	7.09	2500	5580			
221	130	2.0	6.39	2470	5400				
266	108	2.4	5.30	2430	5160				
295	97	2.6	4.78	2380	4990				
357	80	3.2	3.95	2310	4730				
396	72	3.5	3.56	2260	4570				
4.0	3.4	11310	0.8	414.40	55500	95500	G8.3/G3.2A DA112M4	57/58	268
	3.7	10190	0.9	373.54	55500	91800	G8.3/G3.2B DA112M4		268
							G8.3/G3.2C DA112M4		285
	4.3	8940	0.9	327.78	55500	87500	G8.3A DA112M4	57	277
	4.8	7980	0.9	292.56	55500	83900	G8.3B DA112M4		277
	5.7	6680	1.3	245.000	55500	78700	G8.3C DA112M4		293
	6.4	5970	1.3	218.68	55500	75600			
	6.7	5730	1.5	210.000	55500	74500			
	7.5	5110	1.8	187.44	55500	71600			
	8.2	4660	1.9	170.83	55500	69400			
	9.2	4160	2.2	152.48	55500	66700			
	11	3590	2.4	131.67	55500	63500			
	12	3210	2.9	117.52	55500	61100			
	7.2	5290	0.9	193.91	43800	44600	G7.3A DA112M4	56	186
	8.1	4720	1.0	173.02	43800	42600	G7.3B DA112M4		186
	8.5	4490	1.0	164.45	43800	41800	G7.3C DA112M4		194
	9.5	4000	1.2	146.74	43800	40000			
	11	3630	1.3	132.95	43800	38500			
	12	3240	1.5	118.63	43800	36900			
	14	2820	1.7	103.30	43800	35000			
15	2510	1.9	92.17	43800	33600				
17	2230	2.1	81.82	43800	32200				
19	1990	2.4	73.00	43800	30900				
22	1740	2.7	63.82	43800	29500				
25	1550	3.0	56.94	43800	28300				

Двигатели с косозубыми редукторами G

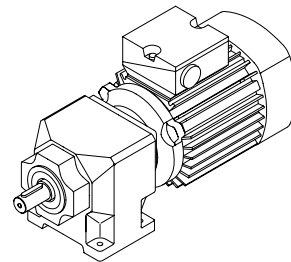
КЕВ



P	n2	M	cG	i	Fr	Fa	Тип	Размеры	Вес	
[кВт]	[1/мин]	[Нм]			[Н]	[Н]		Страница	[кг]	
4.0	14	2770	0.8	101.56	27000	15000	G6.3A DA112M4	55	118	
	16	2430	0.9	89.14	27000	15400			G6.3B DA112M4	118
	18	2170	1.0	79.57	27000	15300			G6.3C DA112M4	124
	20	1910	1.2	70.070	27000	15500				
	22	1710	1.3	62.54	27000	15400				
	27	1430	1.6	52.360	27000	15300				
	30	1280	1.7	46.73	27000	15100				
	36	1070	2.1	39.08	27000	14800				
	40	950	2.3	34.88	27000	14600				
	19	1970	0.9	72.11	27000	15500			G6.2A DA112M4	55
	22	1760	0.9	64.36	27000	15400	G6.2B DA112M4	107		
	26	1470	1.3	53.900	27000	15300	G6.2C DA112M4	113		
	29	1310	1.3	48.11	27000	15100				
	30	1260	1.5	46.200	27000	15100				
	34	1130	1.8	41.24	27000	14900				
	37	1030	1.9	37.58	27000	14800				
	42	915	2.2	33.55	27000	14500				
	48	790	2.4	28.97	27000	14200				
	54	705	2.9	25.85	27000	13900				
	33	1160	0.9	42.660	10200	15400	G5.2A DA112M4	54	77	
	37	1040	1.0	38.06	10000	15700			G5.2B DA112M4	77
	39	985	1.0	36.180	10100	16000			G5.2C DA112M4	80
	43	880	1.2	32.28	9900	16200				
	48	800	1.3	29.250	9840	16500				
	54	710	1.5	26.10	9650	16800				
	62	620	1.6	22.725	9490	17100				
	69	555	1.6	20.28	9280	17300				
	78	490	2.1	18.000	9100	17500				
	87	440	2.4	16.06	8870	17600				
	100	385	2.7	14.040	8650	17800				
	56	685	0.8	25.05	4400	9320	G4.2A DA112M4	53	53	
	62	620	0.8	22.725	4530	9610			G4.2B DA112M4	49
	69	555	0.9	20.28	4540	9830			G4.2C DA112M4	51
	82	465	1.1	17.100	4620	10200				
	92	415	1.3	15.26	4590	10400				
	105	360	1.4	13.275	4590	10600				
	118	325	1.6	11.84	4530	10400				
	120	315	1.6	11.63	4550	10400				
	135	285	1.8	10.38	4470	9980				
	164	235	2.2	8.550	4380	9420				
184	210	2.5	7.63	4290	9030					
190	200	2.5	7.38	4280	8970					
201	190	2.6	6.97	4240	8800					
213	180	2.9	6.58	4180	8600					
114	335	0.8	12.29	1910	5040	G3.2A DA112M4	52	42		
122	315	0.8	11.52	1990	5130			G3.2B DA112M4	40	
135	285	0.9	10.38	2030	5070			G3.2C DA112M4	41	
155	245	1.0	9.02	2120	5100					
172	220	1.2	8.13	2140	5000					
197	193	1.3	7.09	2180	4960					
219	174	1.5	6.39	2180	4850					
264	145	1.8	5.30	2190	4720					
293	130	2.0	4.78	2160	4590					
354	108	2.4	3.95	2140	4420					
393	97	2.6	3.56	2100	4290					

Двигатели с косозубыми редукторами G

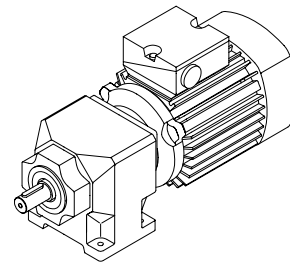
КЕВ



P	n2	M	cG	i	Fr	Fa	Тип	Размеры	Вес	
[кВт]	[1/мин]	[Нм]			[Н]	[Н]		Страница	[кг]	
5.5	5.9	8940	1.0	245.000	55500	80200	G8.3A DA132S4	57	292	
	6.6	7980	1.0	218.68	55500	76900	G8.3B DA132S4		292	
	6.9	7660	1.1	210.000	55500	75800	G8.3C DA132S4		309	
	7.7	6840	1.3	187.44	55500	72700				
	8.4	6230	1.4	170.83	55500	70300				
	9.4	5560	1.7	152.48	55500	67500				
	11	4800	1.8	131.67	55500	64100				
	12	4290	2.1	117.52	55500	61600				
	15	3610	2.4	98.86	55500	58100				
	16	3220	2.9	88.24	55500	55900				
	17	3030	2.9	83.000	55500	54700				
	8.8	6000	0.8	164.45	43800	43300	G7.3A DA132S4		56	201
	9.8	5350	0.9	146.74	43800	41300	G7.3B DA132S4			201
	11	4850	1.0	132.95	43800	39700	G7.3C DA132S4			209
	12	4330	1.1	118.63	43800	37900				
	14	3770	1.2	103.30	43800	35900				
	16	3360	1.4	92.17	43800	34400				
18	2980	1.6	81.82	43800	32800					
20	2660	1.8	73.00	43800	31500					
23	2330	2.0	63.82	43800	29900					
25	2080	2.3	56.94	43800	28700					
27	1980	2.4	54.20	43800	28200					
30	1760	2.7	48.36	43800	27100					
18	2900	0.8	79.57	25600	12600	G6.3A DA132S4	55	134		
						G6.3B DA132S4		134		
						G6.3C DA132S4		140		
27	1970	1.0	53.900	27000	13500	G6.2A DA132S4	55	123		
30	1750	1.0	48.11	27000	13400	G6.2B DA132S4		123		
31	1690	1.1	46.200	27000	13500	G6.2C DA132S4		128		
35	1500	1.3	41.24	27000	13400					
38	1370	1.4	37.58	27000	13400					
43	1220	1.7	33.55	26800	13300					
50	1060	1.8	28.97	26500	13100					
56	945	2.1	25.85	26100	12900					
66	795	2.4	21.750	25500	12700					
74	710	2.9	19.41	25000	12400					
79	665	2.9	18.260	24800	12300					
38	1390	0.8	38.06	8520	14600	G5.2A DA132S4	54	92		
40	1320	0.8	36.180	8630	14900	G5.2B DA132S4		92		
45	1180	0.9	32.28	8600	15300	G5.2C DA132S4		96		
49	1070	1.0	29.250	8670	15700					
55	950	1.1	26.10	8590	16000					
63	830	1.2	22.725	8570	16400					
71	740	1.2	20.28	8430	16700					
80	655	1.6	18.000	8360	17000					
90	585	1.8	16.06	8190	17200					
103	510	2.0	14.040	8050	17400					
115	455	2.3	12.53	7860	17200					
121	435	2.4	11.925	7820	16900					
135	390	2.8	10.64	7620	16100					

Двигатели с косозубыми редукторами G

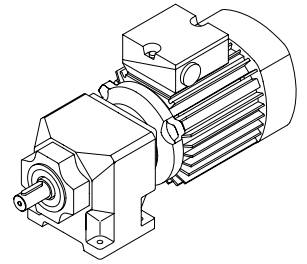
КЕВ



P	n2	M	cG	i	Fr	Fa	Тип	Размеры	Вес	
[кВт]	[1/мин]	[Нм]			[Н]	[Н]		Страница	[кг]	
5.5	84	625	0.8	17.100	3740	9500	G4.2A DA132S4	53	69	
	94	555	0.9	15.26	3780	9270	G4.2B DA132S4		65	
	108	485	1.0	13.275	3900	9210	G4.2C DA132S4		67	
	122	430	1.2	11.84	3900	8940				
	124	425	1.2	11.63	3930	9000				
	139	380	1.4	10.38	3910	8730				
	168	310	1.6	8.550	3920	8430				
	189	280	1.9	7.63	3870	8140				
	207	255	2.0	6.97	3860	8010				
	232	225	2.3	6.22	3790	7730				
	274	191	2.6	5.250	3710	7420				
	307	171	3.1	4.68	3630	7150				
	364	144	3.5	3.95	3540	6830				
	408	129	3.7	3.53	3450	6570				
7.5	6.9	10450	0.8	210.000	55500	78400	G8.3A DA132M4	57	297	
	7.7	9320	1.0	187.44	55500	75100	G8.3B DA132M4		297	
	8.4	8500	1.0	170.83	55500	72500	G8.3C DA132M4		313	
	9.4	7580	1.2	152.48	55500	69400				
	11	6550	1.3	131.67	55500	65800				
	12	5850	1.6	117.52	55500	63100				
	15	4920	1.8	98.86	55500	59300				
	16	4390	2.1	88.24	55500	57000				
	17	4130	2.1	83.000	55500	55800				
	19	3680	2.5	74.08	55500	53600				
	22	3260	2.7	65.48	55500	51400				
	12	5900	0.8	118.63	38300	39800	G7.3A DA132M4		56	206
	14	5140	0.9	103.30	39800	37600	G7.3B DA132M4			206
	16	4580	1.0	92.17	40800	35800	G7.3C DA132M4			214
18	4070	1.1	81.82	41400	34100					
20	3630	1.3	73.00	41800	32600					
23	3170	1.5	63.82	42100	31000					
25	2830	1.7	56.94	42000	29600					
27	2700	1.7	54.20	42000	29100					
30	2410	2.0	48.36	41800	27900					
37	1950	2.4	39.27	41100	25800					
41	1740	2.7	35.04	40500	24800					
45	1580	2.9	31.76	40000	23900					
31	2300	0.8	46.200	23200	11400	G6.2A DA132M4	55	127		
35	2050	1.0	41.24	23300	11500	G6.2B DA132M4		127		
38	1870	1.0	37.58	23800	11700	G6.2C DA132M4		133		
43	1670	1.2	33.55	23700	11700					
50	1440	1.3	28.97	23900	11800					
56	1290	1.6	25.85	23700	11700					
66	1080	1.8	21.750	23600	11700					
74	965	2.1	19.41	23200	11500					
79	910	2.1	18.260	23200	11500					
88	810	2.5	16.30	22800	11300					
100	715	2.7	14.40	22500	11100					

Двигатели с косозубыми редукторами G

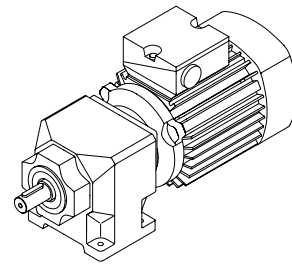
КЕВ



P	n2	M	cG	i	Fr	Fa	Тип	Размеры	Вес	
[кВт]	[1/мин]	[Нм]			[Н]	[Н]		Страница	[кг]	
7.5	55	1300	0.8	26.10	7220	14900	G5.2A DA132M4	54	97	
	63	1130	0.9	22.725	7390	15500			G5.2B DA132M4	97
	71	1010	0.9	20.28	7370	15800			G5.2C DA132M4	100
	80	895	1.1	18.000	7430	16200				
	90	800	1.3	16.06	7350	16500				
	103	700	1.5	14.040	7330	16400				
	115	625	1.7	12.53	7210	15700				
	121	595	1.7	11.925	7200	15600				
	135	530	2.0	10.64	7070	14900				
	167	430	2.4	8.640	6870	14000				
	187	385	2.8	7.71	6710	13400				
	206	350	2.9	6.99	6610	13100				
	108	660	0.8	13.275	2980	7280	G4.2A DA132M4	53	74	
	122	590	0.9	11.84	3070	7230			G4.2B DA132M4	69
	124	580	0.9	11.63	3130	7350			G4.2C DA132M4	71
	139	515	1.0	10.38	3190	7250				
	168	425	1.2	8.550	3330	7270				
	189	380	1.4	7.63	3330	7110				
	207	345	1.4	6.97	3370	7090				
	232	310	1.7	6.22	3350	6910				
274	260	1.9	5.250	3350	6750					
307	235	2.2	4.68	3300	6550					
364	197	2.6	3.95	3260	6340					
408	175	2.7	3.53	3200	6140					
9.2	7.6	11520	0.8	187.44	55500	77300	G8.3A DA132MX4	57	301	
	8.4	10500	0.8	170.83	55500	74500			G8.3B DA132MX4	301
	9.4	9370	1.0	152.48	55500	71300			G8.3C DA132MX4	318
	11	8090	1.1	131.67	55500	67400				
	12	7220	1.3	117.52	55500	64500				
	14	6070	1.4	98.86	55500	60500				
	16	5420	1.7	88.24	55500	58100				
	17	5100	1.7	83.000	55500	56800				
	19	4550	2.0	74.08	55500	54500				
	22	4020	2.2	65.48	55500	52200				
	24	3590	2.6	58.44	55500	50200				
	27	3280	2.7	53.33	55500	48600				
	16	5660	0.8	92.17	34500	37200	G7.3A DA132MX4	56	210	
	17	5030	0.9	81.82	35900	35400			G7.3B DA132MX4	210
	20	4490	1.1	73.00	36900	33700			G7.3C DA132MX4	218
	22	3920	1.2	63.82	37700	31900				
	25	3500	1.4	56.94	38200	30500				
26	3330	1.4	54.20	38300	29900					
30	2970	1.6	48.36	38500	28600					
36	2410	1.9	39.27	38400	26400					
41	2150	2.2	35.04	38200	25300					
45	1950	2.4	31.76	37900	24400					
50	1740	2.7	28.34	37500	23400					
55	1590	2.9	25.84	37100	22600					

Двигатели с косозубыми редукторами G

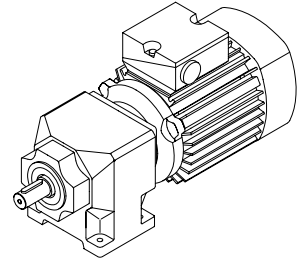
КЕВ



P	n2	M	cG	i	Fr	Fa	Тип	Размеры	Вес			
[кВт]	[1/мин]	[Нм]			[Н]	[Н]		Страница	[кг]			
9.2	35	2530	0.8	41.24	20100	9860	G6.2A DA132MX4 G6.2B DA132MX4 G6.2C DA132MX4	55	131			
	38	2310	0.8	37.58	20900	10300						
	43	2060	1.0	33.55	21100	10400						
	49	1780	1.1	28.97	21700	10700						
	55	1590	1.3	25.85	21700	10700						
	66	1340	1.4	21.750	21900	10800						
	74	1190	1.7	19.41	21700	10700						
	78	1120	1.7	18.260	21800	10800						
	88	1000	2.0	16.30	21500	10600						
	99	885	2.2	14.40	21400	10600						
	111	790	2.6	12.86	21000	10400						
	122	720	2.7	11.73	20900	10300						
	79	1110	0.9	18.000	6630	15600				G5.2A DA132MX4 G5.2B DA132MX4 G5.2C DA132MX4	54	101
	89	985	1.1	16.06	6630	15300						
102	865	1.2	14.040	6710	15000							
114	770	1.4	12.53	6650	14500							
120	735	1.4	11.925	6680	14400							
134	655	1.6	10.64	6600	13900							
166	530	1.9	8.640	6500	13300							
185	475	2.3	7.71	6370	12800							
205	430	2.4	6.99	6310	12500							
229	385	2.8	6.24	6170	12000							
252	350	2.9	5.68	6090	11700							
138	640	0.8	10.38	2560	6050	G4.2A DA132MX4 G4.2B DA132MX4 G4.2C DA132MX4	53	78				
167	525	1.0	8.550	2820	6310							
187	470	1.1	7.63	2870	6250							
205	430	1.2	6.97	2960	6330							
230	380	1.4	6.22	2980	6230							
272	325	1.6	5.250	3040	6200							
305	290	1.8	4.68	3030	6050							
362	245	2.1	3.95	3030	5940							
406	215	2.2	3.53	2990	5770							
11.0	9.6	10930	0.8	152.48	55500				72300	G8.3A DA160M4 G8.3B DA160M4 G8.3C DA160M4	57	316
	11	9440	0.9	131.67	55500				68200			
	12	8430	1.1	117.52	55500	65300						
	15	7090	1.2	98.86	55500	61100						
	17	6330	1.5	88.24	55500	58600						
	18	5950	1.5	83.000	55500	57200						
	20	5310	1.7	74.08	55500	54900						
	22	4700	1.9	65.48	55500	52500						
	25	4190	2.2	58.44	55500	50400						
	27	3820	2.3	53.33	55500	48800						
	31	3410	2.7	47.60	55500	46900						
	36	2910	3.0	40.52	55500	44400						
	18	5870	0.8	81.82	30400	36200	G7.3A DA160M4 G7.3B DA160M4 G7.3C DA160M4	56	225			
	20	5230	0.9	73.00	32000	34400						
	23	4580	1.0	63.82	33400	32500						
	26	4080	1.2	56.94	34300	31000						
	27	3890	1.2	54.20	34600	30400						
	30	3470	1.4	48.36	35200	29000						
37	2820	1.7	39.27	35700	26700							
42	2510	1.9	35.04	35700	25600							
46	2280	2.0	31.76	35600	24600							
52	2030	2.3	28.34	35400	23600							
57	1850	2.5	25.84	35200	22800							
64	1650	2.9	23.05	34800	21900							

Двигатели с косозубыми редукторами G

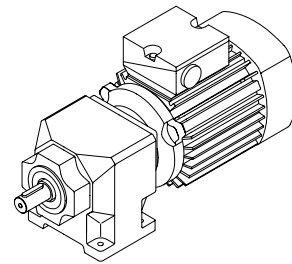
КЕВ



P	n2	M	cG	i	Fr	Fa	Тип	Размеры	Вес
[кВт]	[1/мин]	[Нм]			[Н]	[Н]		Страница	[кг]
11.0	44	2410	0.8	33.55	18500	9060	G6.2A DA160M4	55	150
	51	2080	0.9	28.97	19400	9580	G6.2B DA160M4		150
	57	1850	1.1	25.85	19600	9670	G6.2C DA160M4		156
	67	1560	1.2	21.750	20200	9970			
	75	1390	1.5	19.41	20100	9940			
	80	1310	1.5	18.260	20300	10000			
	90	1170	1.7	16.30	20200	9960			
	102	1030	1.9	14.40	20200	9990			
	114	920	2.2	12.86	19900	9860			
	125	840	2.3	11.73	19900	9840			
	140	750	2.7	10.47	19500	9670			
	164	640	3.0	8.91	19200	9520			
	81	1290	0.8	18.000	5820	13900	G5.2A DA160M4	54	119
	91	1150	0.9	16.06	5890	13600	G5.2B DA160M4		119
	104	1010	1.0	14.040	6070	13600	G5.2C DA160M4		122
	117	900	1.2	12.53	6060	13200			
	123	855	1.2	11.925	6130	13200			
	138	765	1.4	10.64	6090	12800			
	170	620	1.7	8.640	6080	12400			
	190	555	1.9	7.71	5990	12000			
210	500	2.0	6.99	5960	11800				
235	445	2.4	6.24	5850	11400				
258	410	2.5	5.68	5800	11200				
289	365	3.0	5.07	5680	10800				
320	330	3.3	4.58	5580	10500				
351	300	3.4	4.17	5500	10300				
393	265	4.0	3.72	5360	9880				
15.0	15	9670	0.9	98.86	55500	63600	G8.3A DA160L4	57	336
	17	8630	1.1	88.24	55500	60800	G8.3B DA160L4		336
	18	8120	1.1	83.000	55500	59300	G8.3C DA160L4		352
	20	7240	1.3	74.08	55500	56700			
	22	6400	1.4	65.48	55500	54100			
	25	5710	1.6	58.44	55500	51900			
	27	5220	1.7	53.33	55500	50100			
	31	4650	2.0	47.60	55500	48100			
	36	3960	2.2	40.52	55500	45400			
	41	3540	2.6	36.16	55500	43600			
	45	3190	2.7	32.58	55500	42000			
	26	5570	0.8	56.94	25500	32800	G7.3A DA160L4	56	244
	27	5300	0.9	54.20	26200	32100	G7.3B DA160L4		244
	30	4730	1.0	48.36	27600	30600	G7.3C DA160L4		253
	37	3840	1.2	39.27	29600	28000			
	42	3430	1.4	35.04	30300	26700			
	46	3110	1.5	31.76	30700	25600			
	52	2770	1.7	28.34	31000	24500			
	57	2530	1.8	25.84	31200	23600			
	64	2250	2.1	23.05	31300	22600			
70	2030	2.3	20.81	31200	21700				
77	1850	2.5	18.97	31100	21000				
83	1720	2.6	17.61	31000	20400				
87	1650	2.9	16.92	30900	20100				
103	1390	2.9	14.24	30400	18900				

Двигатели с косозубыми редукторами G

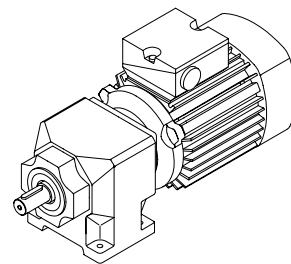
КЕВ



P	n2	M	cG	i	Fr	Fa	Тип	Размеры	Вес	
[кВт]	[1/мин]	[Нм]			[Н]	[Н]		Страница	[кг]	
15.0	67	2130	0.9	21.750	16300	8040	G6.2A DA160L4	55	169	
	75	1900	1.1	19.41	16600	8190	G6.2B DA160L4		169	
	80	1790	1.1	18.260	17100	8420	G6.2C DA160L4		175	
	90	1590	1.3	16.30	17200	8490				
	102	1410	1.4	14.40	17600	8710				
	114	1260	1.6	12.86	17600	8690				
	125	1150	1.7	11.73	17800	8790				
	140	1020	2.0	10.47	17600	8720				
	164	870	2.2	8.91	17600	8730				
	184	780	2.6	7.96	17400	8610				
	204	700	2.7	7.17	17300	8570				
	117	1220	0.9	12.53	4770	10600	G5.2A DA160L4		54	138
	123	1170	0.9	11.925	4920	10800	G5.2B DA160L4			138
	138	1040	1.0	10.64	4990	10700	G5.2C DA160L4			141
170	845	1.2	8.640	5210	10700					
190	755	1.4	7.71	5200	10500					
210	685	1.5	6.99	5250	10500					
235	610	1.8	6.24	5210	10200					
258	555	1.8	5.68	5220	10100					
289	495	2.2	5.07	5150	9830					
320	450	2.4	4.58	5100	9630					
351	410	2.5	4.17	5080	9490					
393	365	2.9	3.72	4980	9200					
18.5	17	10640	0.9	88.24	55500	62700	G8.3A DA180M4	57		361
	18	10010	0.9	83.000	55500	61100	G8.3B DA180M4			361
	20	8930	1.0	74.08	55500	58400	G8.3C DA180M4		378	
	22	7900	1.1	65.48	55500	55600				
	25	7050	1.3	58.44	55500	53100				
	27	6430	1.4	53.33	55500	51300				
	31	5740	1.6	47.60	55500	49100				
	36	4890	1.8	40.52	55500	46200				
	41	4360	2.1	36.16	55500	44400				
	45	3930	2.2	32.58	55500	42700				
	50	3510	2.6	29.08	55500	41000				
	56	3180	2.7	26.35	55500	39600				
	30	5830	0.8	48.36	21100	31900	G7.3A DA180M4		56	270
	37	4740	1.0	39.27	24200	29100	G7.3B DA180M4			270
	42	4230	1.1	35.04	25500	27700	G7.3C DA180M4			278
	46	3830	1.2	31.76	26400	26500				
	52	3420	1.4	28.34	27200	25300				
	57	3120	1.5	25.84	27700	24300				
64	2780	1.7	23.05	28100	23200					
70	2510	1.9	20.81	28400	22300					
77	2290	2.0	18.97	28500	21500					
83	2120	2.1	17.61	28600	20900					
87	2040	2.3	16.92	28600	20600					
103	1720	2.3	14.24	28400	19300					
126	1400	2.5	11.58	28000	17900					

Двигатели с косозубыми редукторами G

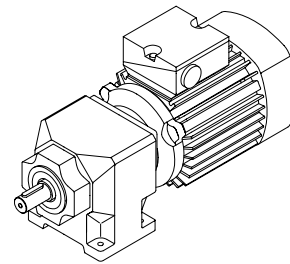
КЕВ



P	n2	M	cG	i	Fr	Fa	Тип	Размеры	Вес		
[кВт]	[1/мин]	[Нм]			[Н]	[Н]		Страница	[кг]		
18.5	75	2340	0.9	19.41	13600	6650	G6.2A DA180M4	55	195		
	80	2200	0.9	18.260	14300	7000	G6.2B DA180M4				
	90	1970	1.0	16.30	14700	7200	G6.2C DA180M4				
	102	1740	1.1	14.40	15400	7590					
	114	1550	1.3	12.86	15600	7680					
	125	1420	1.4	11.73	16000	7880					
	140	1260	1.6	10.47	16000	7890					
	164	1070	1.8	8.91	16300	8040					
	184	960	2.1	7.96	16100	7980					
	204	865	2.2	7.17	16200	8010					
	229	770	2.6	6.40	16000	7910					
	253	700	2.7	5.80	16000	7900					
	138	1280	0.8	10.64	4030	8840	G5.2A DA180M4	54	163		
	170	1040	1.0	8.640	4440	9270	G5.2B DA180M4				
	190	930	1.2	7.71	4500	9190	G5.2C DA180M4				
	210	845	1.2	6.99	4630	9310					
	235	750	1.4	6.24	4650	9170					
	258	685	1.5	5.68	4720	9200					
	289	610	1.8	5.07	4700	9010					
	320	550	1.9	4.58	4690	8900					
	351	505	2.0	4.17	4710	8840					
	393	450	2.4	3.72	4640	8610					
22.0	23	9330	0.9	65.48	55500	56800	G8.3A DA180L4			57	394
	25	8320	1.1	58.44	55500	54300	G8.3B DA180L4				
	28	7600	1.2	53.33	55500	52300	G8.3C DA180L4				
	31	6780	1.4	47.60	55500	50000					
	36	5770	1.5	40.52	55500	47000					
	41	5150	1.8	36.16	55500	45000					
	45	4640	1.9	32.58	55500	43300					
	51	4140	2.2	29.08	55500	41500					
	56	3750	2.3	26.35	55500	40100					
	63	3350	2.7	23.52	55500	38400					
	70	3020	3.0	21.17	55500	37000					
	38	5590	0.8	39.27	19000	30100	G7.3A DA180L4	56	303		
	42	4990	0.9	35.04	20800	28500	G7.3B DA180L4				
	46	4520	1.0	31.76	22200	27300	G7.3C DA180L4				
	52	4040	1.2	28.34	23400	26000					
	57	3680	1.3	25.84	24200	25000					
	64	3280	1.4	23.05	25000	23800					
	84	2510	1.8	17.61	26200	21300					
	104	2030	2.0	14.24	26500	19600					
	127	1650	2.1	11.58	26400	18100					
	102	2050	0.9	14.40	13200	6490	G6.2A DA180L4			55	227
	115	1830	1.1	12.86	13600	6670	G6.2B DA180L4				
126	1670	1.2	11.73	14200	6980	G6.2C DA180L4					
141	1490	1.4	10.47	14400	7080						
165	1270	1.5	8.91	14900	7350						
185	1130	1.8	7.96	14900	7350						
206	1020	1.9	7.17	15100	7460						
231	910	2.2	6.40	15000	7410						
254	825	2.3	5.80	15100	7450						
285	735	2.7	5.17	14900	7360						
317	665	3.0	4.66	14800	7310						
349	600	3.2	4.22	14700	7280						
392	535	3.7	3.77	14400	7150						

Двигатели с косозубыми редукторами G

КЕВ



P	n2	M	cG	i	Fr	Fa	Тип	Размеры	Вес	
[кВт]	[1/мин]	[Нм]			[Н]	[Н]		Страница	[кг]	
30.0	25	11350	0.8	58.44	45400	57100	G8.3A DA200L4	57	431	
	28	10360	0.8	53.33	47300	54900	G8.3B DA200L4		431	
	31	9250	1.0	47.60	49200	52400	G8.3C DA200L4		448	
	36	7870	1.1	40.52	51100	49000				
	41	7020	1.3	36.16	52100	46800				
	45	6330	1.4	32.58	52600	44900				
	51	5650	1.6	29.08	53000	43000				
	56	5120	1.7	26.35	53100	41400				
	63	4570	2.0	23.52	53000	39600				
	70	4110	2.2	21.17	52800	38100				
	77	3730	2.3	19.19	52500	36700				
	86	3330	2.7	17.12	52000	35200				
	52	5510	0.9	28.34	14700	27800	G7.3A DA200L4		56	340
	57	5020	0.9	25.84	16300	26600	G7.3B DA200L4			340
	64	4480	1.1	23.05	17900	25300	G7.3C DA200L4			348
	84	3420	1.3	17.61	20800	22400				
	104	2770	1.4	14.24	22100	20500				
	127	2250	1.6	11.58	22900	18900				
115	2500	0.8	12.86	9010	4360	G6.2A DA200L4	55	264		
126	2280	0.8	11.73	10100	4910	G6.2B DA200L4		264		
141	2030	1.0	10.47	10600	5190	G6.2C DA200L4		269		
165	1730	1.1	8.91	11800	5770					
185	1550	1.3	7.96	12100	5920					
206	1390	1.4	7.17	12600	6190					
231	1240	1.6	6.40	12700	6260					
254	1130	1.7	5.80	13000	6420					
285	1010	2.0	5.17	13000	6430					
317	905	2.2	4.66	13100	6470					
349	820	2.3	4.22	13200	6540					
392	730	2.7	3.77	13100	6480					

Двигатели с косозубыми редукторами G для очень низких выходных скоростей



M [Нм]	n2 [1/мин]	i	Тип	Размеры Страница	Вес [кг]
270	0.37	3820.4	G3.2/G1.2A DL63K4	52/58	24
	0.41	3472.3	G3.2/G1.2B DL63K4		22
	0.42	3361.3	G3.2/G1.2C DL63K4	23	
	0.47	2975.9			
	0.52	2704.7			
	0.54	2618.2			
	0.59	2379.7			
	0.67	2105.4			
	0.74	1913.5			
	0.80	1754.5			
	0.88	1594.6			
	1.0	1349.6			
	1.1	1226.6			
	1.5	944.73			
	1.6	858.64			
	1.8	775.06			
	2.0	704.43			
2.3	613.11				
2.5	557.24				
2.8	506.10				
3.1	459.98				
610	0.31	4618.2	G4.2/G1.2A DL63K4	53/58	36
	0.34	4197.4	G4.2/G1.2B DL63K4		32
	0.35	4063.2	G4.2/G1.2C DL63K4	34	
	0.39	3622.9			
	0.43	3292.8			
	0.44	3187.5			
	0.49	2897.1			
	0.55	2563.2			
	0.61	2329.6			
	0.66	2136.0			
	0.73	1941.3			
	0.86	1643.1			
	0.94	1493.3			
1.2	1150.1				
1.3	1045.3				

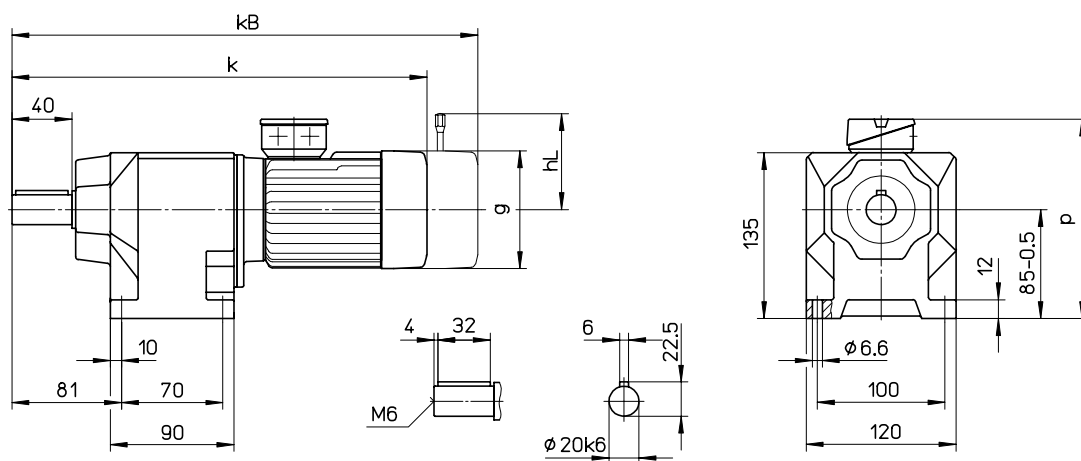
M [Нм]	n2 [1/мин]	i	Тип	Размеры Страница	Вес [кг]
1200	0.044	31938	G5.3/G1.2A DL63K4	54/58	65
	0.049	29028	G5.3/G1.2B DL63K4		65
	0.050	28100	G5.3/G1.2C DL63K4	69	
	0.057	24794			
	0.063	22535			
	0.065	21815			
	0.071	19827			
	0.080	17542			
	0.088	15943			
	0.096	14618			
	0.11	13286			
	0.13	11245			
	0.14	10220			
	0.18	7871.2			
	0.20	7154.0			
	0.22	6457.6			
	0.24	5869.2			
	0.28	5108.3			
	0.30	4642.8			
	0.33	4216.7			
0.37	3832.5				
0.44	3210.5				
0.48	2918.0				
0.56	2514.7				
0.62	2285.6				
2300	0.037	37752	G6.3/G1.2A DL63K4	55/58	101
	0.041	34312	G6.3/G1.2B DL63K4		101
	0.042	33215	G6.3/G1.2C DL63K4	107	
	0.048	29407			
	0.053	26727			
	0.054	25873			
	0.060	23515			
	0.068	20805			
	0.075	18909			
	0.081	17337			
	0.089	15757			
	0.11	13336			
	0.12	12121			
	0.15	9335.5			
	0.17	8484.8			
	0.18	7658.9			
	0.20	6961.0			
0.23	6058.5				
0.26	5506.4				
0.28	5001.1				
0.31	4545.4				
0.37	3807.8				
4730	0.12	11954	G7.3/G3.2A DL63K4	56/58	155
	0.13	10775	G7.3/G3.2B DL63K4		155
	0.14	9961.6	G7.3/G3.2C DL63K4	163	
	0.16	8979.2			
	0.18	7759.5			

Двигатели с косозубыми редукторами G



G1.2A

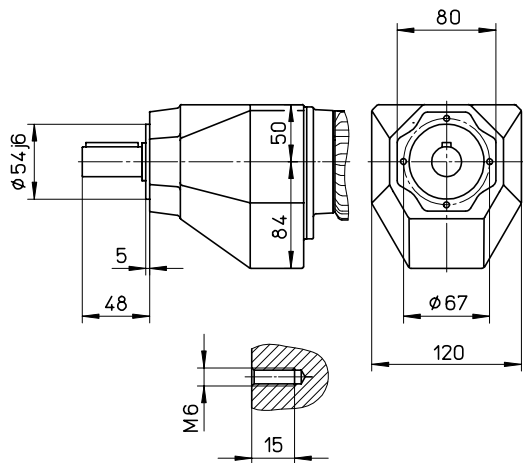
Вариант с монтажом на лапы



G1.2B

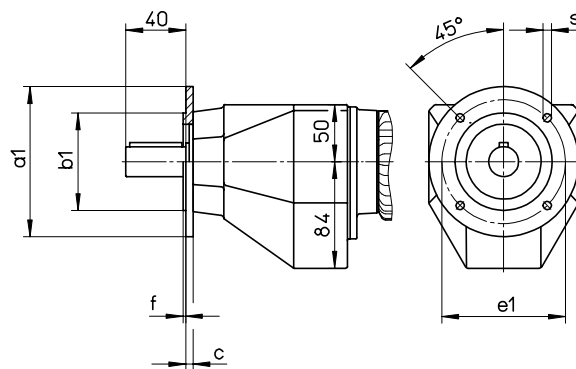
лапы

B14 Вариант с фланцевым монтажом



G1.2C

B5 Вариант с монтажом на



	k	kB	g	p	hL
G1.2_DL63/71	358	410	126	198	106
G1.2_DA80	407	478	158	220	128

Фланец	a1	e1	b1	s	c	f
Ø120	120	100	80 j6	6.6	8	3
Ø140	140	115	95 j6	9	9	3

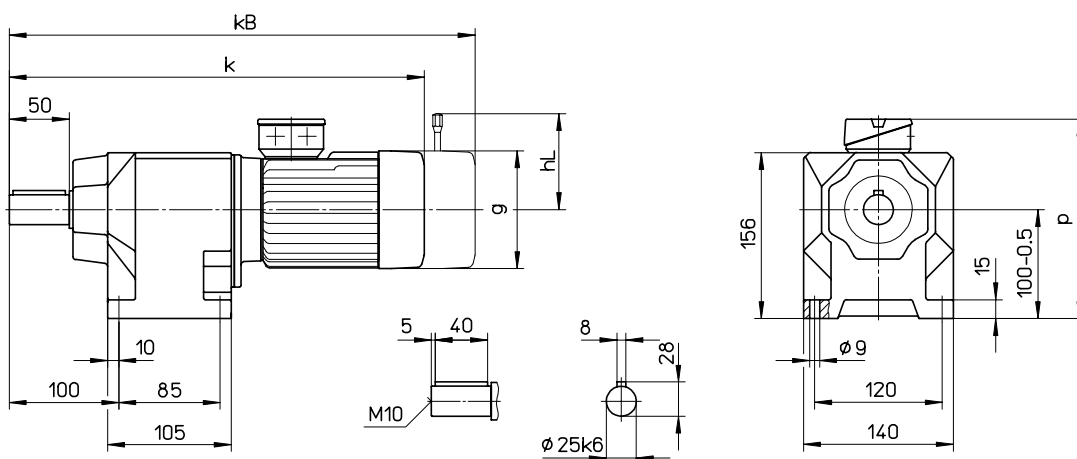
Размеры kB и hL относятся к мотор-редуктору с тормозом

Двигатели с косозубыми редукторами G



G2.2A

Вариант с монтажом на лапы



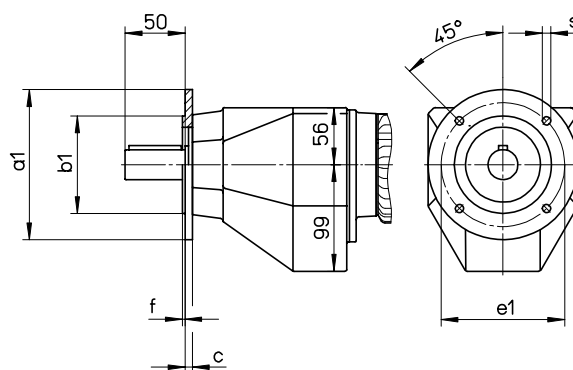
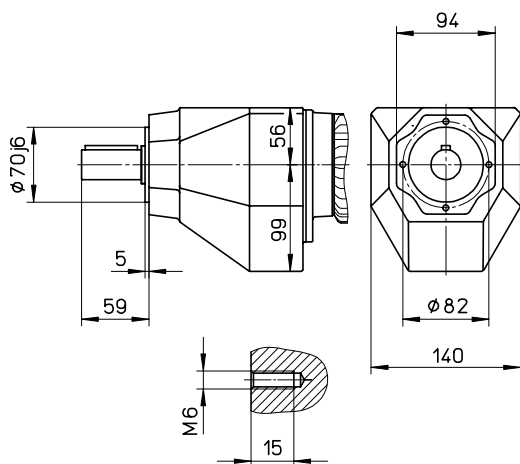
G2.2B

лапы

B14 Вариант с фланцевым монтажом

G2.2C

B5 Вариант с монтажом на



	k	kB	g	p	hL
G2.2_DL63/71	389	441	126	213	106
G2.2_DA80	437	508	158	235	128
G2.2_DA90S	437	508	158	235	128
G2.2_DA90L	484	549	176	249	168

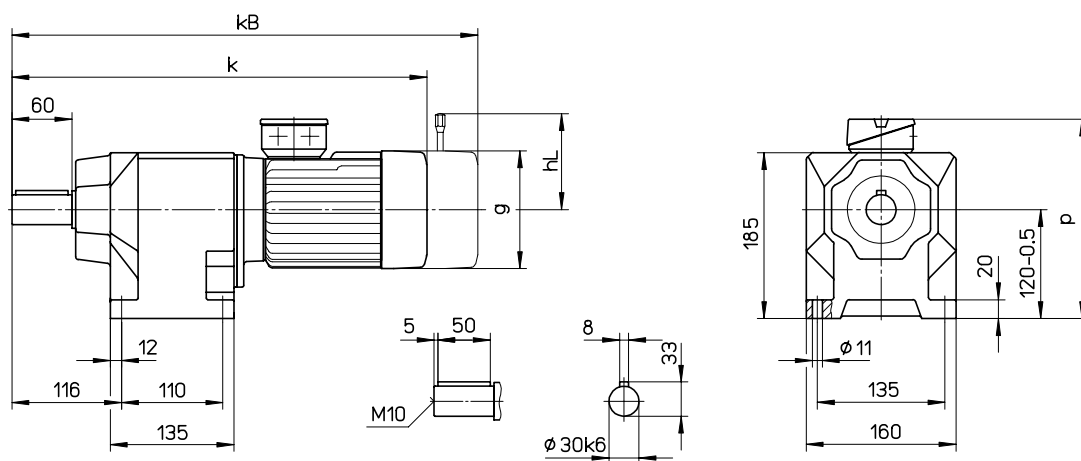
Фланец	a1	e1	b1	s	c	f
Ø140	140	115	95 j6	9	9	3
Ø160	160	130	110 j6	9	9	3.5

Размеры kB и hL относятся к мотор-редуктору с тормозом

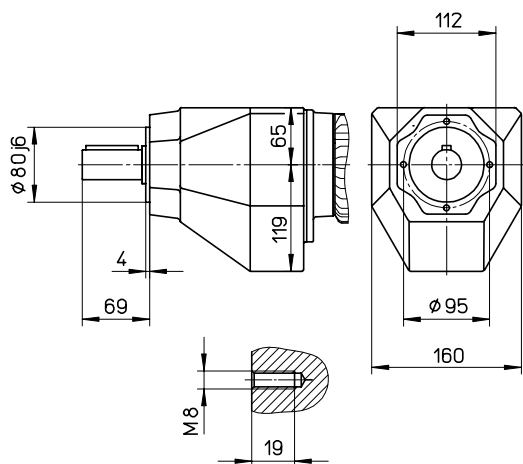
Двигатели с косозубыми редукторами G



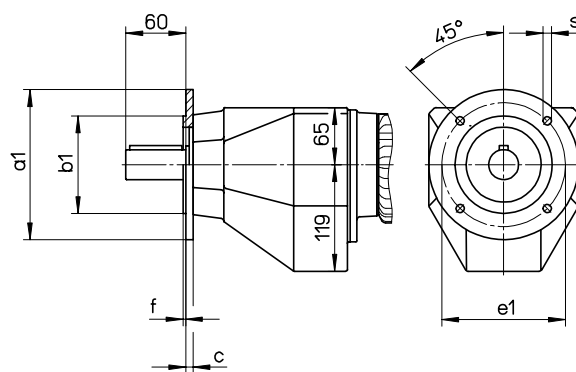
G3.2A, G3.3A Вариант с монтажом на лапы



G3.2B, G3.3B B14 Вариант с фланцевым монтажом лапы



G3.2C, G3.3C B5 Вариант с монтажом на лапы



	k	kB	g	p	hL
G3.3_DL63/71	453	505	126	233	106
G3.2_DL63/71	427	479	126	233	106
G3.3_DA80	502	573	158	255	128
G3.2_DA80	476	547	158	255	128
G3.2_DA90S	476	547	158	255	128
G3.2_DA90L	523	587	176	269	168
G3.2_DA100L	523	587	176	269	168
G3.2_DA100LX	560	634	195	276	176
G3.2_DA112	560	634	195	276	176

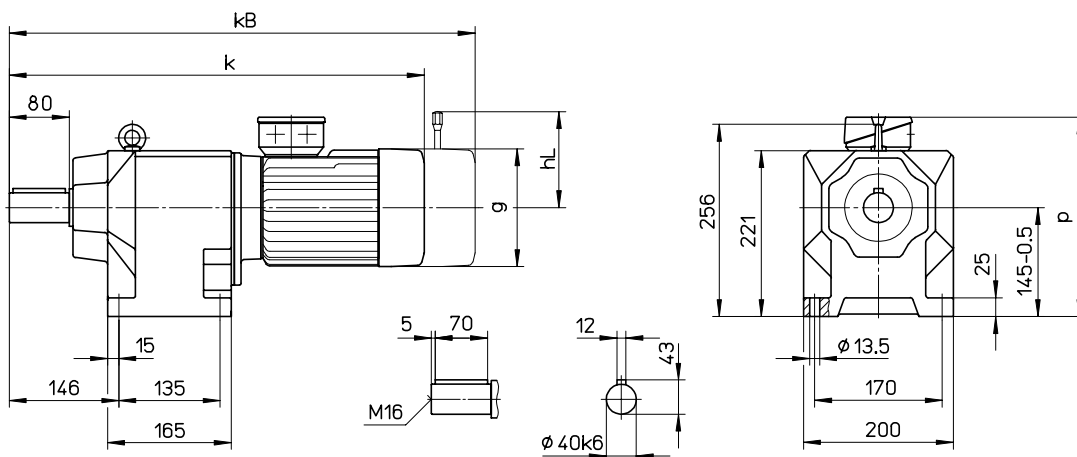
Фланец	a1	e1	b1	s	c	f
Ø160	160	130	110 j6	9	9	3.5
Ø200	200	165	130 j6	11	10	3.5

Размеры kB и hL относятся к мотор-редуктору с тормозом

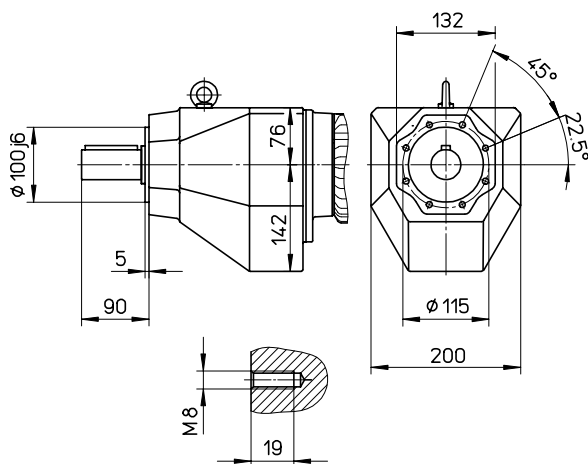
Двигатели с косозубыми редукторами G

KEB

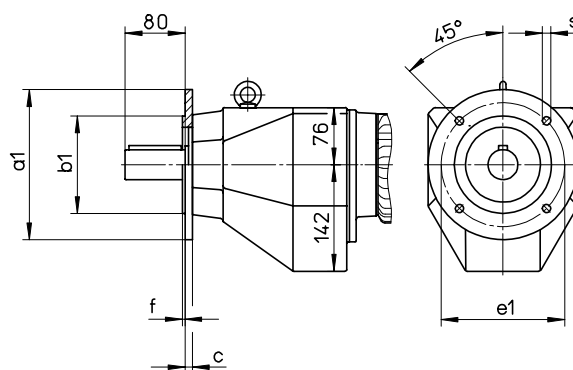
G4.2A, G4.3A Вариант с монтажом на лапы



G4.2B, G4.3B B14 Вариант с фланцевым монтажом лапы



G4.2C, G4.3C B5 Вариант с монтажом на лапы



	k	kB	g	p	hL
G4.3_DL63/71	507	559	126	258	106
G4.2_DA80	528	599	158	280	128
G4.3_DA80	555	626	158	280	128
G4.2_DA90S	528	599	158	280	128
G4.3_DA90S	555	626	158	280	128
G4.2_DA90L	575	640	176	293	168
G4.2_DA100L	575	640	176	293	168
G4.2_DA100LX	613	687	195	301	176
G4.2_DA112	613	687	195	301	176
G4.2_DA132	717	816	245	333	225

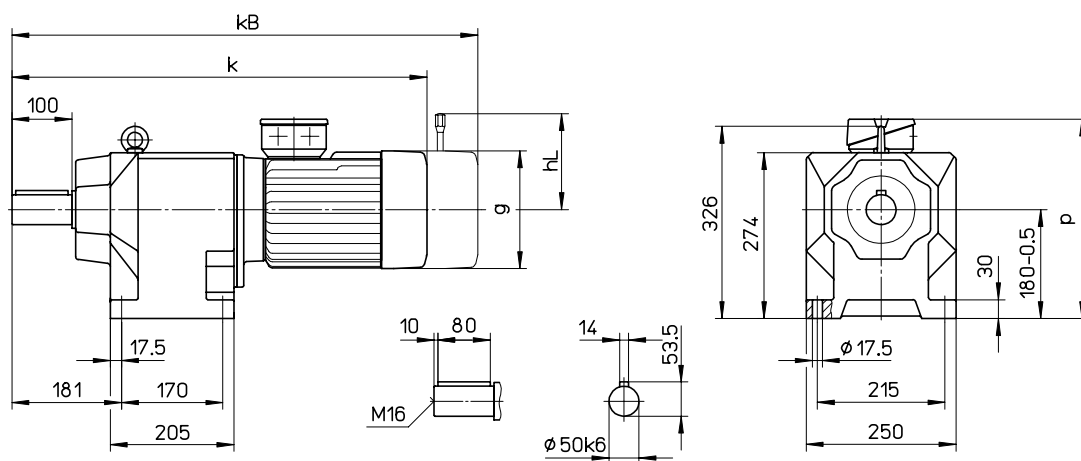
Фланец	a1	e1	b1	s	c	f
Ø200	200	165	130 j6	11	10	3.5
Ø250	250	215	180 j6	13.5	11	4

Размеры kB и hL относятся к мотор-редуктору с тормозом

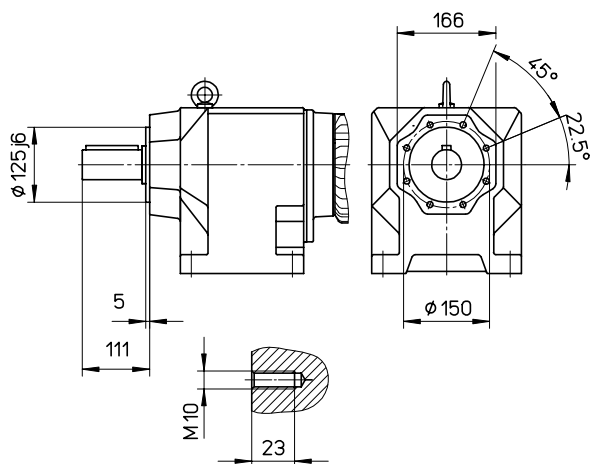
Двигатели с косозубыми редукторами G



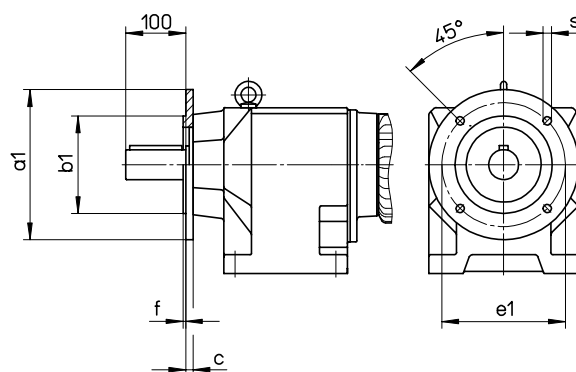
G5.2A, G5.3A Вариант с монтажом на лапы



G5.2B, G5.3B B14 Вариант с фланцевым монтажом лапы



G5.2C, G5.3C B5 Вариант с монтажом на лапы



	k	kB	g	p	hL
G5.3_DL63/71	577	629	126	293	106
G5.3_DA80	626	697	158	315	128
G5.2_DA90L	640	704	176	329	168
G5.3_DA90S	626	697	158	315	128
G5.3_DA90L	673	738	176	329	168
G5.2_DA100L	640	704	176	329	168
G5.3_DA100L	673	738	176	329	168
G5.2_DA100LX	677	751	195	336	176
G5.2_DA112	677	751	195	336	176
G5.2_DA132	781	880	245	368	225
G5.2_DA160	906	1025	311	430	256
G5.2_DA180M	906	1025	311	430	256

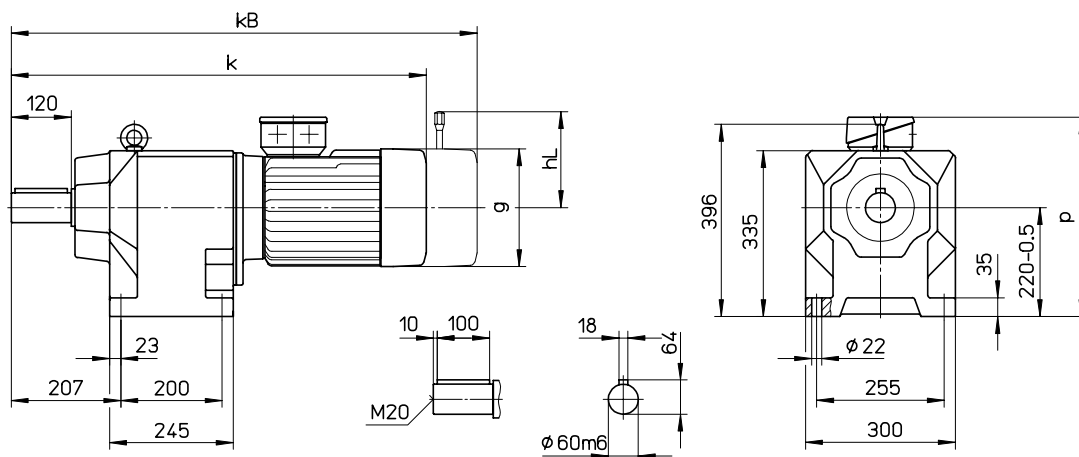
Фланец	a1	e1	b1	s	c	f
Ø250	250	215	180 j6	13.5	11	4
Ø300	300	265	230 j6	13.5	12	4

Размеры kB и hL относятся к мотор-редуктору с тормозом

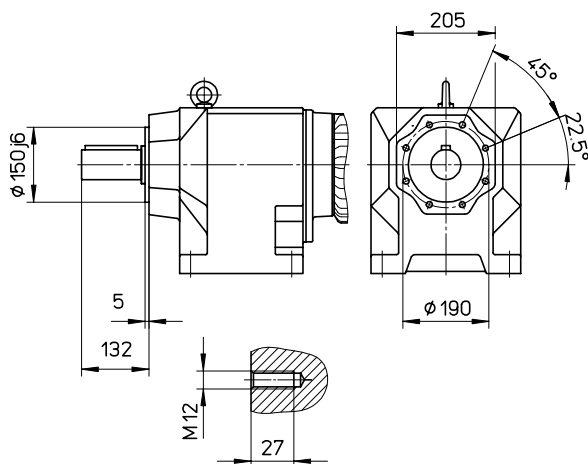
Двигатели с косозубыми редукторами G

KEB

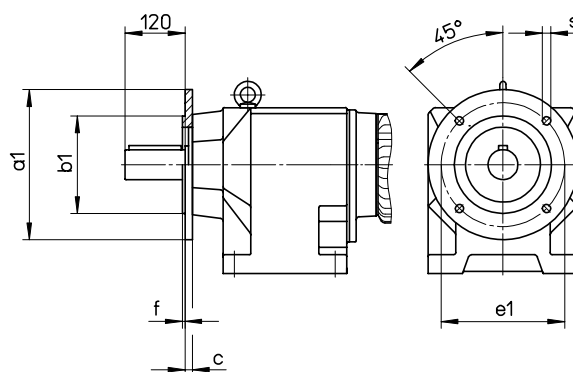
G6.2A, G6.3A Вариант с монтажом на лапы



G6.2B, G6.3B B14 Вариант с фланцевым монтажом лапы



G6.2C, G6.3C B5 Вариант с монтажом на лапы



	k	kB	g	p	hL
G6.3_DA80	684	755	158	355	128
G6.3_DA90S	684	755	158	355	128
G6.3_DA90L	731	796	176	369	168
G6.3_DA100L	731	796	176	369	168
G6.2_DA100LX	730	804	195	376	176
G6.3_DA100LX	769	843	195	376	176
G6.2_DA112	730	804	195	376	176
G6.3_DA112	769	843	195	376	176
G6.2_DA132	834	933	245	408	225
G6.2_DA160	958	1078	311	470	256
G6.2_DA180M	958	1078	311	470	256
G6.2_DA180L	999	1138	356	511	335
G6.2_DA200L	999	1138	356	511	335

Фланец	a1	E1	b1	s	c	f
Ø300	300	265	230 j6	13.5	12	4
Ø400	400	350	300 h6	17.5	15	5

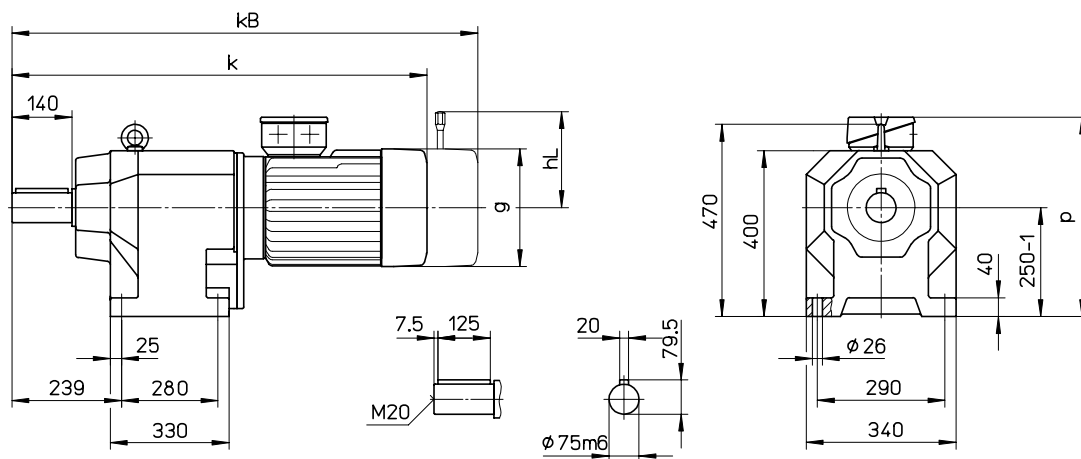
Размеры kB и hL относятся к мотор-редуктору с тормозом

Двигатели с косозубыми редукторами G



G7.3A

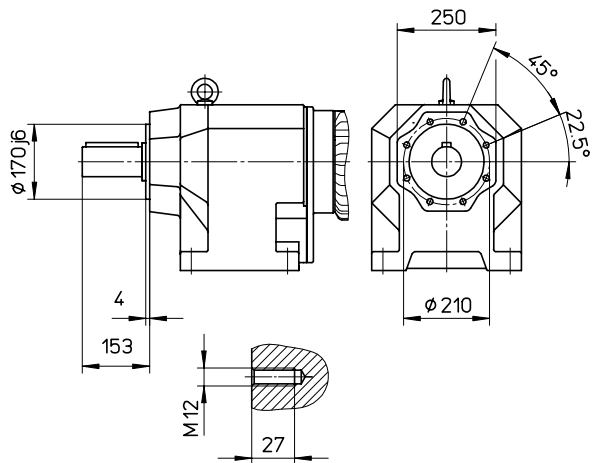
Вариант с монтажом на лапы



G7.3B

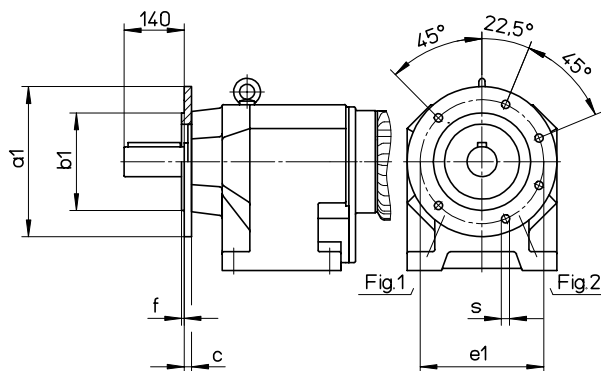
лапы

B14 Вариант с фланцевым монтажом



G7.3C

B5 Вариант с монтажом на лапы



	k	kB	g	p	hL
G7.3_DA100LX	866	940	195	406	176
G7.3_DA112	866	940	195	406	176
G7.3_DA132	970	1069	245	438	225
G7.3_DA160M	1095	1214	311	500	256
G7.3_DA180M	1095	1214	311	500	256
G7.3_DA180L	1136	1275	356	541	335
G7.3_DA200	1136	1275	356	541	335

Фланец	Fig.	a1	e1	b1	s	c	f
Ø350	1	350	300	250 h6	17.5	16	5
Ø450	2	450	400	350 h6	17.5	16	5

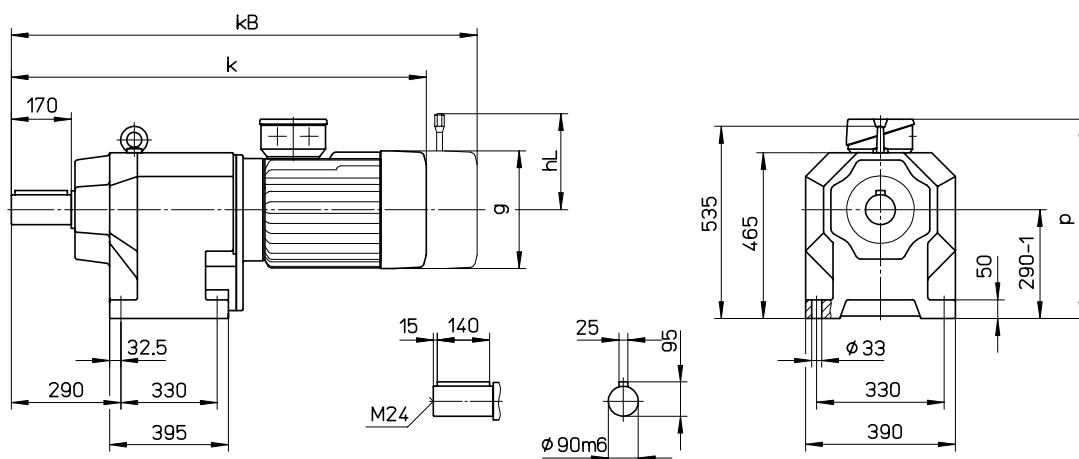
Размеры kB и hL относятся к мотор-редуктору с тормозом

Двигатели с косозубыми редукторами G



G8.3A

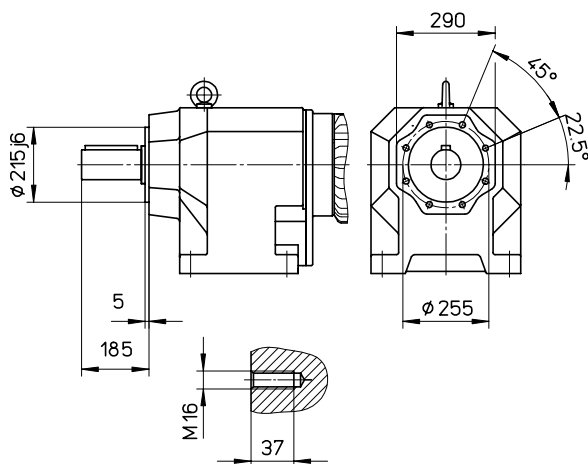
Вариант с монтажом на лапы



G8.3B

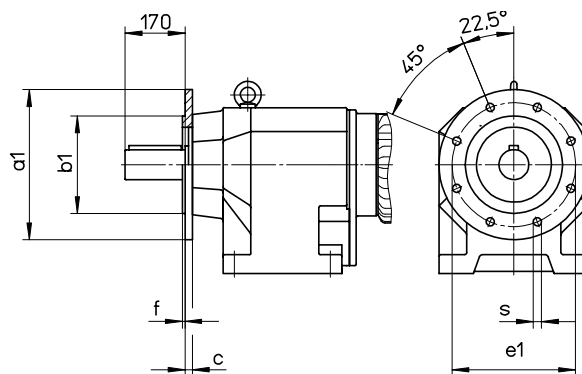
лапы

B14 Вариант с фланцевым монтажом



G8.3C

B5 Вариант с монтажом на



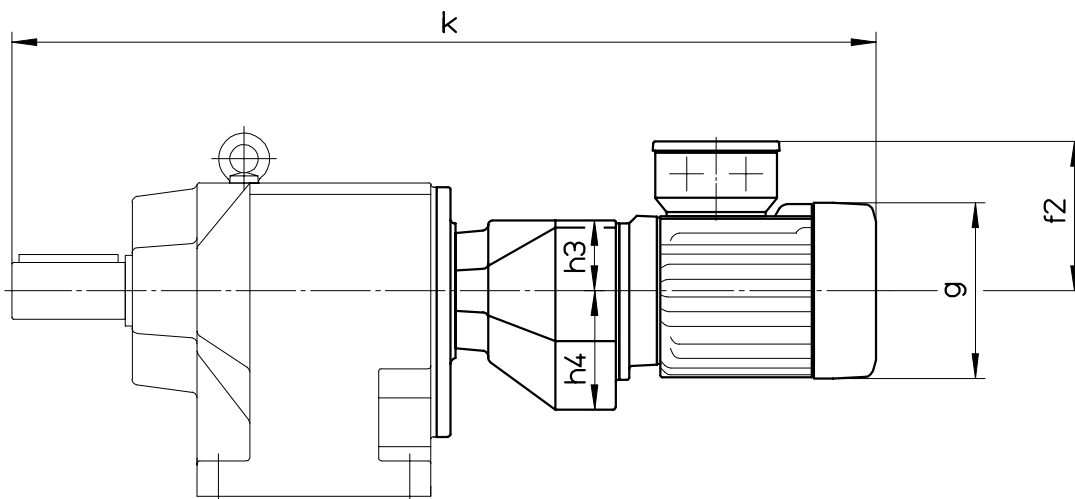
	k	kB	g	p	hL
G8.3_ DA100LX	971	1045	195	446	176
G8.3_ DA112	971	1045	195	446	176
G8.3_ DA132	1075	1174	245	478	225
G8.3_ DA160	1200	1319	311	540	256
G8.3_ DA180M	1200	1319	311	540	256
G8.3_ DA180L	1241	1380	356	581	335
G8.3_ DA200	1241	1380	356	581	335

Фланец	a1	e1	b1	s	c	f
Ø450	450	400	350 h6	17.5	16	5
Ø550	550	500	450 h6	17.5	18	5

Размеры kB и hL относятся к мотор-редуктору с тормозом

Двигатели с косозубыми редукторами G для очень низких выходных скоростей

КЕВ



	k	g	f2	h3	h4
G3.2/G1.2A DL63/71	571	126	113	50	84
G4.2/G1.2A DL63/71	624	126	113	50	84
G5.3/G1.2A DL63/71	722	126	113	50	84
G6.3/G1.2A DL63/71	780	126	113	50	84
G6.3/G1.2A DA80	829	158	135	50	84
G7.3/G3.2A DL63/71	949	126	113		
G7.3/G3.2A DA80	998	158	135		
G7.3/G3.2A DA90S	998	158	135	65	119
G7.3/G3.2A DA90L	1045	176	149		
G7.3/G3.2A DA100L	1045	176	149		
G8.3/G3.2A DL63/71	1054	126	113		
G8.3/G3.2A DA80	1103	158	135		
G8.3/G3.2A DA90S	1103	158	135		
G8.3/G3.2A DA90L	1150	176	149	65	119
G8.3/G3.2A DA100L	1150	176	149		
G8.3/G3.2A DA100LX	1188	195	156		
G8.3/G3.2A DA112M	1188	195	156		

Цилиндрический редуктор G, ZG



i	M [Нм] сG=1	n2 [1/мин] Pmax [кВт]				Переходник - адаптер для мотора -M							
		n1=2800	n1=1400	n1=930	n1=700	IEC	IEC	IEC	IEC	IEC	IEC		
G1.2 (ZG0)													
66.35	62	42 0.27	21 0.14	14 0.09	11 0.07	63	71	80	S4B	S4C	S4D		
60.31	63	46 0.31	23 0.15	15 0.10	12 0.08	63	71	80	S4B	S4C	S4D		
58.38	62	48 0.31	24 0.16	16 0.10	12 0.08	63	71	80	S4B	S4C	S4D		
53.06	63	53 0.35	26 0.17	18 0.12	13 0.09	63	71	80	S4B	S4C	S4D		
46.94	62	60 0.39	30 0.19	20 0.13	15 0.10	63	71	80	S4B	S4C	S4D		
42.67	63	66 0.43	33 0.22	22 0.14	16 0.11	63	71	80	S4B	S4C	S4D		
39.12	62	72 0.46	36 0.23	24 0.15	18 0.12	63	71	80	S4B	S4C	S4D		
35.56	63	79 0.52	39 0.26	26 0.17	20 0.13	63	71	80	S4B	S4C	S4D		
30.09	62	93 0.60	47 0.30	31 0.20	23 0.15	63	71	80	S4B	S4C	S4D		
27.35	63	102 0.68	51 0.34	34 0.22	26 0.17	63	71	80	S4B	S4C	S4D		
21.06	62	133 0.86	66 0.43	44 0.29	33 0.22	63	71	80	S4B	S4C	S4D		
19.15	63	146 0.96	73 0.48	49 0.32	37 0.24	63	71	80	S4B	S4C	S4D		
17.28	62	162 1.1	81 0.53	54 0.35	41 0.26	63	71	80	S4B	S4C	S4D		
15.71	63	178 1.2	89 0.59	59 0.39	45 0.29	63	71	80	S4B	S4C	S4D		
13.67	62	205 1.3	102 0.66	68 0.44	51 0.33	63	71	80	S4B	S4C	S4D		
12.42	63	225 1.5	113 0.74	75 0.49	56 0.37	63	71	80	S4B	S4C	S4D		
11.28	62	248 1.5	124 0.81	82 0.54	62 0.40	63	71	80	S4B	S4C	S4D		
10.26	63	273 1.5	137 0.90	91 0.60	68 0.45	63	71	80	S4B	S4C	S4D		
8.59	62	326 1.5	163 1.1	108 0.70	81 0.53	63	71	80	S4B	S4C	S4D		
7.81	63	359 1.5	179 1.2	119 0.79	90 0.59	63	71	80	S4B	S4C	S4D		
7.22	63	388 1.5	194 1.3	129 0.85	97 0.64	63	71	80	S4B	S4C	S4D		
6.73	62	416 1.5	208 1.4	138 0.90	104 0.68	63	71	80	S4B	S4C	S4D		
6.12	63	458 1.5	229 1.5	152 1.0	114 0.75	63	71	80	S4B	S4C	S4D		
5.72	62	490 1.5	245 1.5	163 1.1	122 0.79	63	71	80	S4B	S4C	S4D		
5.13	62	546 1.5	273 1.5	181 1.2	136 0.89	63	71	80	S4B	S4C	S4D		
4.66	63	600 1.5	300 1.5	199 1.3	150 0.99	63	71	80	S4B	S4C	S4D		
4.36	62	642 1.5	321 1.5	213 1.4	161 1.0	63	71	80	S4B	S4C	S4D		
3.97	63	706 1.5	353 1.5	235 1.5	177 1.2	63	71	80	S4B	S4C	S4D		
3.69	62	758 1.5	379 1.5	252 1.5	190 1.2	63	71	80	S4B	S4C	S4D		
3.36	63	834 1.5	417 1.5	277 1.5	209 1.4	63	71	80	S4B	S4C	S4D		
G2.2 (ZG1)													
67.94	115	41 0.50	21 0.25	14 0.16	10 0.12	63	71	80	S4B	S4C	S4D		
61.22	103	46 0.49	23 0.25	15 0.16	11 0.12	63	71	80	S4B	S4C	S4D		
54.83	117	51 0.63	26 0.31	17 0.21	13 0.16	63	71	80	S4B	S4C	S4D		
49.41	122	57 0.72	28 0.36	19 0.24	14 0.18	63	71	80	S4B	S4C	S4D		
45.29	117	62 0.76	31 0.38	21 0.25	15 0.19	63	71	80	90	S4B	S4C	S4D	S4E
40.81	122	69 0.88	34 0.44	23 0.29	17 0.22	63	71	80	90	S4B	S4C	S4D	S4E
35.16	117	80 0.98	40 0.49	26 0.32	20 0.24	63	71	80	90	S4B	S4C	S4D	S4E
31.69	122	88 1.1	44 0.56	29 0.37	22 0.28	63	71	80	90	S4B	S4C	S4D	S4E
28.61	117	98 1.2	49 0.60	33 0.40	24 0.30	63	71	80	90	S4B	S4C	S4D	S4E
25.78	122	109 1.4	54 0.69	36 0.46	27 0.35	63	71	80	90	S4B	S4C	S4D	S4E
20.43	117	137 1.7	69 0.84	46 0.56	34 0.42	63	71	80	S4B	S4C	S4D		
18.41	122	152 1.9	76 0.97	51 0.65	38 0.49	63	71	80	S4B	S4C	S4D		
16.60	117	169 2.1	84 1.0	56 0.69	42 0.52	63	71	80	90	S4B	S4C	S4D	S4E
14.96	122	187 2.4	94 1.2	62 0.79	47 0.60	63	71	80	90	S4B	S4C	S4D	S4E
13.86	117	202 2.5	101 1.2	67 0.82	51 0.62	63	71	80	90	S4B	S4C	S4D	S4E
12.49	122	224 2.9	112 1.4	74 0.95	56 0.72	63	71	80	90	S4B	S4C	S4D	S4E
10.54	117	266 3.0	133 1.6	88 1.1	66 0.81	63	71	80	90	S4B	S4C	S4D	S4E
9.500	122	295 3.0	147 1.9	98 1.3	74 0.94	63	71	80	90	S4B	S4C	S4D	S4E
8.34	117	336 3.0	168 2.1	111 1.4	84 1.0	63	71	80	90	S4B	S4C	S4D	S4E
7.52	122	372 3.0	186 2.4	124 1.6	93 1.2	63	71	80	90	S4B	S4C	S4D	S4E
6.79	117	412 3.0	206 2.5	137 1.7	103 1.3	63	71	80	90	S4B	S4C	S4D	S4E
6.12	122	457 3.0	229 2.9	152 1.9	114 1.5	63	71	80	90	S4B	S4C	S4D	S4E
5.69	117	492 3.0	246 3.0	163 2.0	123 1.5				90			S4E	
5.06	117	554 3.0	277 3.0	184 2.3	138 1.7	63	71	80	90	S4B	S4C	S4D	S4E
4.56	122	614 3.0	307 3.0	204 2.6	154 2.0	63	71	80	90	S4B	S4C	S4D	S4E
3.75	117	746 3.0	373 3.0	248 3.0	186 2.3	63	71	80	90	S4B	S4C	S4D	S4E
3.38	122	828 3.0	414 3.0	275 3.0	207 2.6	63	71	80	90	S4B	S4C	S4D	S4E

Цилиндрический редуктор G, ZG



i	M [Нм] сG=1	n2 [1/мин] Pmax [кВт]				Переходник - адаптер для мотора -M						
		n1=2800	n1=1400	n1=930	n1=700	IEC	IEC	IEC	IEC	IEC		
G3.2 (ZG2)						IEC	IEC	IEC	IEC	IEC		
69.09	240	41 1.0	20 0.51	13 0.34	10 0.25	71	80				S4C	S4D
62.28	215	45 1.0	22 0.51	15 0.34	11 0.25	71	80				S4C	S4D
57.58	255	49 1.3	24 0.65	16 0.43	12 0.33	71	80	90			S4C	S4D S4E
51.90	250	54 1.4	27 0.71	18 0.47	13 0.35	71	80	90			S4C	S4D S4E
44.85	255	62 1.7	31 0.84	21 0.56	16 0.42	71	80	90	100	112	S4C	S4D S4E
40.43	255	69 1.9	35 0.93	23 0.62	17 0.46	71	80	90	100	112	S4C	S4D S4E
36.36	255	77 2.1	39 1.0	26 0.69	19 0.52	71	80	90	100	112	S4C	S4D S4E
32.78	255	85 2.3	43 1.1	28 0.76	21 0.57	71	80	90	100	112	S4C	S4D S4E
26.73	255	105 2.8	52 1.4	35 0.93	26 0.70	71	80	90	100	112	S4C	S4D S4E
24.09	255	116 3.1	58 1.6	39 1.0	29 0.78	71	80	90	100	112	S4C	S4D S4E
21.56	255	130 3.5	65 1.7	43 1.2	32 0.87	71	80	90			S4C	S4D S4E
19.43	255	144 3.9	72 1.9	48 1.3	36 0.97	71	80	90			S4C	S4D S4E
18.18	255	154 4.1	77 2.1	51 1.4	39 1.0	71	80	90	100	112	S4C	S4D S4E
16.39	255	171 4.6	85 2.3	57 1.5	43 1.1	71	80	90	100	112	S4C	S4D S4E
13.64	255	205 5.5	103 2.8	68 1.8	51 1.4	71	80	90	100	112	S4C	S4D S4E
12.29	255	228 6.1	114 3.1	76 2.0	57 1.5	71	80	90	100	112	S4C	S4D S4E
11.52	255	243 6.5	122 3.3	81 2.2	61 1.6	71	80	90	100	112	S4C	S4D S4E
10.38	255	270 7.2	135 3.6	90 2.4	67 1.8	71	80	90	100	112	S4C	S4D S4E
9.02	255	310 8.0	155 4.2	103 2.8	78 2.1			90	100	112		S4E
8.13	255	344 8.0	172 4.6	114 3.1	86 2.3			90	100	112		S4E
7.09	255	395 8.0	197 5.3	131 3.5	99 2.6			90	100	112		S4E
6.39	255	438 8.0	219 5.9	146 3.9	110 2.9			90	100	112		S4E
5.30	255	528 8.0	264 7.1	176 4.7	132 3.5			90	100	112		S4E
4.78	255	586 8.0	293 7.9	195 5.2	147 3.9			90	100	112		S4E
3.95	255	708 8.0	354 8.0	235 6.3	177 4.7			90	100	112		S4E
3.56	255	786 8.0	393 8.0	261 7.0	196 5.3			90	100	112		S4E
G3.3 (ZG2/3)						IEC	IEC	IEC				
222.22	255	13 0.34	6.3 0.17	4.2 0.11	3.2 0.08	63	71	80	S4B	S4C	S4D	
200.31	255	14 0.37	7.0 0.19	4.6 0.12	3.5 0.09	63	71	80	S4B	S4C	S4D	
173.74	255	16 0.43	8.1 0.22	5.4 0.14	4.0 0.11	63	71	80	S4B	S4C	S4D	
156.60	255	18 0.48	8.9 0.24	5.9 0.16	4.5 0.12	63	71	80	S4B	S4C	S4D	
141.41	255	20 0.53	9.9 0.27	6.6 0.18	5.0 0.13	63	71	80	S4B	S4C	S4D	
127.47	255	22 0.59	11 0.29	7.3 0.20	5.5 0.15	63	71	80	S4B	S4C	S4D	
105.05	255	27 0.71	13 0.36	8.9 0.24	6.7 0.18	63	71	80	S4B	S4C	S4D	
94.69	255	30 0.79	15 0.40	9.8 0.26	7.4 0.20	63	71	80	S4B	S4C	S4D	
80.81	255	35 0.93	17 0.46	12 0.31	8.7 0.23	63	71	80	S4B	S4C	S4D	
72.84	255	38 1.0	19 0.52	13 0.34	9.6 0.26	63	71	80	S4B	S4C	S4D	
68.69	255	41 1.1	20 0.55	14 0.36	10 0.27	63	71	80	S4B	S4C	S4D	
61.91	255	45 1.2	23 0.61	15 0.40	11 0.30	63	71	80	S4B	S4C	S4D	

Цилиндрический редуктор G, ZG



i	M [Нм] сG=1	n2 [1/мин] Pmax [кВт]				Переходник - адаптер для мотора -M					
		n1=2800	n1=1400	n1=930	n1=700	IEC	IEC	IEC	IEC	IEC	
G4.2 (ZG3)						IEC	IEC	IEC	IEC	IEC	
69.600	420	40 1.8	20 0.89	13 0.59	10 0.44	80	90				S4D S4E
62.10	375	45 1.8	23 0.89	15 0.59	11 0.44	80	90				S4D S4E
54.600	500	51 2.7	26 1.3	17 0.90	13 0.67	80	90	100	112	132	S4D S4E S4F
48.72	465	57 2.8	29 1.4	19 0.93	14 0.70	80	90	100	112	132	S4D S4E S4F
44.400	500	63 3.3	32 1.7	21 1.1	16 0.83	80	90	100	112	132	S4D S4E S4F
39.62	525	71 3.9	35 1.9	23 1.3	18 0.97	80	90	100	112	132	S4D S4E S4F
32.940	500	85 4.5	43 2.2	28 1.5	21 1.1	80	90	100	112	132	S4D S4E S4F
29.39	525	95 5.2	48 2.6	32 1.7	24 1.3	80	90	100	112	132	S4D S4E S4F
28.080	500	100 5.2	50 2.6	33 1.7	25 1.3		90	100	112	132	S4E S4F
25.05	525	112 6.1	56 3.1	37 2.0	28 1.5		90	100	112	132	S4E S4F
22.725	500	123 6.5	62 3.2	41 2.2	31 1.6	80	90	100	112	132	S4D S4E S4F
20.28	475	138 6.9	69 3.4	46 2.3	35 1.7	80	90	100	112	132	S4D S4E S4F
17.100	500	164 8.6	82 4.3	54 2.9	41 2.2	80	90	100	112	132	S4D S4E S4F
15.26	525	184 10	92 5.0	61 3.3	46 2.5	80	90	100	112	132	S4D S4E S4F
13.275	500	211 11	105 5.5	70 3.7	53 2.8			100	112	132	S4F
11.84	525	236 13	118 6.5	79 4.3	59 3.2			100	112	132	S4F
11.63	500	241 13	120 6.3	80 4.2	60 3.2		90	100	112	132	S4E S4F
10.38	525	270 15	135 7.4	90 4.9	67 3.7		90	100	112	132	S4E S4F
8.550	500	327 17	164 8.6	109 5.7	82 4.3			100	112	132	S4F
7.63	525	367 18	184 10	122 6.7	92 5.0			100	112	132	S4F
7.38	500	379 18	190 10.0	126 6.6	95 5.0					132	S4F
6.97	500	402 18	201 11	133 7.0	100 5.3			100	112	132	S4F
6.58	525	425 18	213 12	141 7.7	106 5.8					132	S4F
6.22	525	450 18	225 12	150 8.2	113 6.2			100	112	132	S4F
5.55	500	504 18	252 13	167 8.8	126 6.6					132	S4F
5.250	500	533 18	267 14	177 9.3	133 7.0			100	112	132	S4F
4.96	490	565 18	282 14	188 9.6	141 7.2					132	S4F
4.68	525	598 18	299 16	199 11	149 8.2			100	112	132	S4F
4.19	470	669 18	335 17	222 11	167 8.3					132	S4F
3.95	500	709 18	354 18	235 12	177 9.3			100	112	132	S4F
3.73	420	750 18	375 17	249 11	187 8.3					132	S4F
3.53	480	794 18	397 18	264 13	199 10.0			100	112	132	S4F
G4.3 (ZG3/3)						IEC	IEC	IEC	IEC		
668.850	570	4.2 0.25	2.1 0.12	1.4 0.08	1.0 0.06	63	71	80			S4B S4C S4D
596.79	505	4.7 0.25	2.3 0.12	1.6 0.08	1.2 0.06	63	71	80			S4B S4C S4D
588.47	570	4.8 0.28	2.4 0.14	1.6 0.09	1.2 0.07	63	71	80			S4B S4C S4D
525.06	505	5.3 0.28	2.7 0.14	1.8 0.09	1.3 0.07	63	71	80			S4B S4C S4D
473.200	570	5.9 0.35	3.0 0.18	2.0 0.12	1.5 0.09	63	71	80			S4B S4C S4D
422.22	505	6.6 0.35	3.3 0.18	2.2 0.12	1.7 0.09	63	71	80			S4B S4C S4D
394.33	570	7.1 0.42	3.6 0.21	2.4 0.14	1.8 0.11	63	71	80	90		S4B S4C S4D S4E
351.85	505	8.0 0.42	4.0 0.21	2.6 0.14	2.0 0.11	63	71	80	90		S4B S4C S4D S4E
303.33	570	9.2 0.55	4.6 0.27	3.1 0.18	2.3 0.14	63	71	80	90		S4B S4C S4D S4E
270.65	505	10 0.55	5.2 0.27	3.4 0.18	2.6 0.14	63	71	80	90		S4B S4C S4D S4E
212.33	570	13 0.78	6.6 0.39	4.4 0.26	3.3 0.20	63	71	80			S4B S4C S4D
189.46	505	15 0.78	7.4 0.39	4.9 0.26	3.7 0.20	63	71	80			S4B S4C S4D
174.200	570	16 0.96	8.0 0.48	5.3 0.32	4.0 0.24	63	71	80			S4B S4C S4D
155.43	505	18 0.96	9.0 0.48	6.0 0.32	4.5 0.24	63	71	80			S4B S4C S4D
137.800	570	20 1.2	10 0.60	6.7 0.40	5.1 0.30	63	71	80	90		S4B S4C S4D S4E
122.95	505	23 1.2	11 0.60	7.6 0.40	5.7 0.30	63	71	80	90		S4B S4C S4D S4E
113.750	570	25 1.5	12 0.73	8.2 0.49	6.2 0.37	63	71	80	90		S4B S4C S4D S4E
101.49	505	28 1.5	14 0.73	9.2 0.49	6.9 0.37	63	71	80	90		S4B S4C S4D S4E
86.61	570	32 1.9	16 0.96	11 0.64	8.1 0.48	63	71	80	90		S4B S4C S4D S4E
77.28	505	36 1.9	18 0.96	12 0.64	9.1 0.48	63	71	80	90		S4B S4C S4D S4E
67.84	570	41 2.5	21 1.2	14 0.82	10 0.61	63	71	80	90		S4B S4C S4D S4E
60.53	505	46 2.5	23 1.2	15 0.82	12 0.61	63	71	80	90		S4B S4C S4D S4E
51.73	570	54 3.0	27 1.6	18 1.1	14 0.80	63	71	80			S4B S4C S4D
46.15	505	61 3.0	30 1.6	20 1.1	15 0.81	63	71	80			S4B S4C S4D
37.23	570	75 3.0	38 2.2	25 1.5	19 1.1	63	71	80			S4B S4C S4D
33.22	505	84 3.0	42 2.2	28 1.5	21 1.1	63	71	80			S4B S4C S4D

Цилиндрический редуктор G, ZG



i	M [Нм] сG=1	n2 [1/мин] Pmax [кВт]				Переходник - адаптер для мотора -M					
		n1=2800	n1=1400	n1=930	n1=700	IEC	IEC	IEC	IEC		
G5.2 (ZG4)						IEC	IEC	IEC	IEC		
69.600	890	40 3.8	20 1.9	13 1.2	10 0.94	90	100	112			S4E
62.10	795	45 3.8	23 1.9	15 1.2	11 0.94	90	100	112			S4E
57.000	1000	49 5.2	25 2.6	16 1.7	12 1.3	90	100	112			S4E
50.86	900	55 5.2	28 2.6	18 1.7	14 1.3	90	100	112			S4E
42.660	1030	66 7.1	33 3.5	22 2.3	16 1.8	90	100	112	132	160	S4E S4F
38.06	1080	74 8.3	37 4.1	24 2.8	18 2.1	90	100	112	132	160	S4E S4F
36.180	1030	77 8.3	39 4.2	26 2.8	19 2.1	90	100	112	132	160	S4E S4F
32.28	1080	87 9.8	43 4.9	29 3.2	22 2.4	90	100	112	132	160	S4E S4F
29.250	1030	96 10	48 5.2	32 3.4	24 2.6	90	100	112	132	160	S4E S4F
26.10	1080	107 12	54 6.0	36 4.0	27 3.0	90	100	112	132	160	S4E S4F
22.725	1000	123 13	62 6.5	41 4.3	31 3.2	90	100	112	132	160	S4E S4F
20.28	895	138 13	69 6.5	46 4.3	35 3.2	90	100	112	132	160	S4E S4F
18.000	1030	156 17	78 8.4	52 5.6	39 4.2	90	100	112	132	160	S4E S4F
16.06	1080	174 20	87 9.8	58 6.5	44 4.9	90	100	112	132	160	S4E S4F
14.040	1030	199 21	100 11	66 7.1	50 5.4	90	100	112	132	160	S4E S4F
12.53	1080	224 25	112 13	74 8.4	56 6.3	90	100	112	132	160	S4E S4F
11.925	1030	235 25	117 13	78 8.4	59 6.3	90	100	112	132	160	S4E S4F
10.64	1080	263 30	132 15	87 9.8	66 7.4	90	100	112	132	160	S4E S4F
8.640	1030	324 35	162 17	108 12	81 8.7	90	100	112	132	160	S4E S4F
7.71	1080	363 37	182 20	121 14	91 10	90	100	112	132	160	S4E S4F
6.99	1030	401 37	200 22	133 14	100 11				132	160	S4F
6.24	1080	449 37	225 25	149 17	112 13				132	160	S4F
5.68	1030	493 37	246 27	164 18	123 13				132	160	S4F
5.07	1080	552 37	276 31	183 21	138 16				132	160	S4F
4.58	1070	612 37	306 34	203 23	153 17				132	160	S4F
4.17	1020	671 37	336 36	223 24	168 18				132	160	S4F
3.72	1030	752 37	376 37	250 27	188 20				132	160	S4F
G5.3 (ZG4/3)						IEC	IEC	IEC	IEC	IEC	
722.000	1190	3.9 0.48	1.9 0.24	1.3 0.16	0.97 0.12	71	80				S4C S4D
644.21	1100	4.3 0.50	2.2 0.25	1.4 0.17	1.1 0.12	71	80				S4C S4D
582.67	1190	4.8 0.60	2.4 0.30	1.6 0.20	1.2 0.15	71	80				S4C S4D
519.89	1160	5.4 0.65	2.7 0.33	1.8 0.22	1.3 0.16	71	80				S4C S4D
481.33	1190	5.8 0.73	2.9 0.36	1.9 0.24	1.5 0.18	71	80	90			S4C S4D S4E
429.47	1160	6.5 0.79	3.3 0.40	2.2 0.26	1.6 0.20	71	80	90			S4C S4D S4E
373.67	1190	7.5 0.93	3.7 0.47	2.5 0.31	1.9 0.23	71	80	90	100	112	S4C S4D S4E
333.41	1160	8.4 1.0	4.2 0.51	2.8 0.34	2.1 0.25	71	80	90	100	112	S4C S4D S4E
304.000	1190	9.2 1.1	4.6 0.57	3.1 0.38	2.3 0.29	71	80	90	100	112	S4C S4D S4E
271.25	1160	10 1.3	5.2 0.63	3.4 0.42	2.6 0.31	71	80	90	100	112	S4C S4D S4E
217.14	1190	13 1.6	6.4 0.80	4.3 0.53	3.2 0.40	71	80				S4C S4D
193.75	1160	14 1.8	7.2 0.88	4.8 0.58	3.6 0.44	71	80				S4C S4D
176.43	1190	16 2.0	7.9 0.99	5.3 0.66	4.0 0.49	71	80	90			S4C S4D S4E
157.42	1160	18 2.2	8.9 1.1	5.9 0.72	4.4 0.54	71	80	90			S4C S4D S4E
147.250	1190	19 2.4	9.5 1.2	6.3 0.79	4.8 0.59	71	80	90	100	112	S4C S4D S4E
131.38	1160	21 2.6	11 1.3	7.1 0.86	5.3 0.65	71	80	90	100	112	S4C S4D S4E
112.03	1190	25 3.1	12 1.6	8.3 1.0	6.2 0.78	71	80	90			S4C S4D S4E
99.96	1160	28 3.4	14 1.7	9.3 1.1	7.0 0.85	71	80	90			S4C S4D S4E
88.67	1190	32 3.9	16 2.0	10 1.3	7.9 0.98	71	80	90	100	112	S4C S4D S4E
81.43	1190	34 4.3	17 2.1	11 1.4	8.6 1.1			90			S4E
79.11	1160	35 4.3	18 2.1	12 1.4	8.8 1.1	71	80	90	100	112	S4C S4D S4E
72.200	1190	39 4.8	19 2.4	13 1.6	9.7 1.2	71	80	90	100	112	S4C S4D S4E
64.42	1160	43 5.3	22 2.6	14 1.8	11 1.3	71	80	90	100	112	S4C S4D S4E
60.45	1190	46 5.8	23 2.9	15 1.9	12 1.4			90			S4E
53.74	1190	52 6.5	26 3.2	17 2.2	13 1.6			90			S4E
47.95	1160	58 7.1	29 3.5	19 2.4	15 1.8			90			S4E
39.900	1190	70 8.0	35 4.4	23 2.9	18 2.2			90			S4E
35.60	1160	79 8.0	39 4.8	26 3.2	20 2.4			90			S4E

Цилиндрический редуктор G, ZG



i	M [Нм] сG=1	n2 [1/мин] Pmax [кВт]				Переходник - адаптер для мотора -M				
		n1=2800	n1=1400	n1=930	n1=700	IEC	IEC	IEC	IEC	IEC
G6.2 (ZG5)						IEC	IEC	IEC	IEC	IEC
72.11	1750	39 7.1	19 3.6	13 2.4	9.7 1.8	100	112			
64.36	1530	44 7.0	22 3.5	14 2.3	11 1.7	100	112			
53.900	1930	52 10	26 5.2	17 3.5	13 2.6	100	112	132	160	S4F
48.11	1720	58 11	29 5.3	19 3.5	15 2.6	100	112	132	160	S4F
46.200	1920	61 12	30 6.1	20 4.1	15 3.1	100	112	132	160	S4F
41.24	2020	68 14	34 7.2	23 4.8	17 3.6	100	112	132	160	S4F
37.58	1920	75 15	37 7.5	25 5.0	19 3.8	100	112	132	160	S4F
33.55	2020	83 18	42 8.8	28 5.9	21 4.4	100	112	132	160	S4F
28.97	1920	97 19	48 9.7	32 6.5	24 4.9	100	112	132	160	S4F
25.85	2020	108 23	54 11	36 7.6	27 5.7	100	112	132	160	S4F
21.750	1920	129 26	64 13	43 8.6	32 6.5	100	112	132	160	S4F
19.41	2020	144 31	72 15	48 10	36 7.6	100	112	132	160	S4F
18.260	1920	153 31	77 15	51 10	38 7.7	100	112	132	160	S4F
16.30	2020	172 36	86 18	57 12	43 9.1	100	112	132	160	S4F
14.40	1920	194 39	97 20	65 13	49 9.8			132	160	180 S4F
12.86	2020	218 46	109 23	72 15	54 12			132	160	180 S4F
11.73	1920	239 48	119 24	79 16	60 12	100	112	132	160	180 S4F
10.47	2020	267 57	134 28	89 19	67 14	100	112	132	160	180 S4F
8.91	1920	314 60	157 32	104 21	79 16			132	160	180 S4F
7.96	2020	352 60	176 37	117 25	88 19			132	160	180 S4F
7.17	1920	391 60	195 39	130 26	98 20					180
6.40	2020	438 60	219 46	145 31	109 23					180
5.80	1920	483 60	241 49	160 32	121 24					180
5.17	2020	541 60	271 57	180 38	135 29					180
4.66	2020	601 60	301 60	200 42	150 32					180
4.22	1920	663 60	332 60	220 44	166 33					180
3.77	1960	743 60	372 60	247 51	186 38					180
G6.3 (ZG5/3)						IEC	IEC	IEC	IEC	IEC
682.73	2260	4.1 0.97	2.1 0.48	1.4 0.32	1.0 0.24	80				S4D
609.38	2110	4.6 1.0	2.3 0.51	1.5 0.34	1.1 0.25	80				S4D
568.94	2260	4.9 1.2	2.5 0.58	1.6 0.39	1.2 0.29	80	90			S4D S4E
507.82	2220	5.5 1.3	2.8 0.64	1.8 0.43	1.4 0.32	80	90			S4D S4E
443.18	2260	6.3 1.5	3.2 0.75	2.1 0.50	1.6 0.37	80	90	100	112	132 S4D S4E S4F
395.56	2220	7.1 1.6	3.5 0.82	2.4 0.55	1.8 0.41	80	90	100	112	132 S4D S4E S4F
359.33	2260	7.8 1.8	3.9 0.92	2.6 0.61	1.9 0.46	80	90	100	112	132 S4D S4E S4F
320.73	2220	8.7 2.0	4.4 1.0	2.9 0.67	2.2 0.51	80	90	100	112	132 S4D S4E S4F
264.110	2260	11 2.5	5.3 1.3	3.5 0.83	2.7 0.63	80	90	100	112	132 S4D S4E S4F
235.73	2220	12 2.8	5.9 1.4	3.9 0.92	3.0 0.69	80	90	100	112	132 S4D S4E S4F
213.03	2260	13 3.1	6.6 1.6	4.4 1.0	3.3 0.78	80	90			S4D S4E
190.15	2220	15 3.4	7.4 1.7	4.9 1.1	3.7 0.86	80	90			S4D S4E
179.67	2260	16 3.7	7.8 1.8	5.2 1.2	3.9 0.92	80	90	100	112	132 S4D S4E S4F
160.36	2220	17 4.1	8.7 2.0	5.8 1.3	4.4 1.0	80	90	100	112	132 S4D S4E S4F
134.750	2260	21 4.9	10 2.5	6.9 1.6	5.2 1.2	80	90	100	112	132 S4D S4E S4F
120.27	2220	23 5.4	12 2.7	7.7 1.8	5.8 1.4	80	90	100	112	132 S4D S4E S4F
113.79	2260	25 5.8	12 2.9	8.2 1.9	6.2 1.5	80	90	100	112	132 S4D S4E S4F
101.56	2220	28 6.4	14 3.2	9.2 2.1	6.9 1.6	80	90	100	112	132 S4D S4E S4F
89.14	2260	31 7.4	16 3.7	10 2.5	7.9 1.9	90	100	112	132	S4E S4F
79.57	2220	35 8.2	18 4.1	12 2.7	8.8 2.0	90	100	112	132	S4E S4F
70.070	2260	40 9.4	20 4.7	13 3.1	10.0 2.4	90	100	112	132	S4E S4F
62.54	2210	45 10	22 5.2	15 3.4	11 2.6	90	100	112	132	S4E S4F
52.360	2250	53 13	27 6.3	18 4.2	13 3.1	90	100	112	132	S4E S4F
46.73	2210	60 14	30 6.9	20 4.6	15 3.5	90	100	112	132	S4E S4F
39.08	2260	72 17	36 8.5	24 5.6	18 4.2	90	100	112	132	S4E S4F
34.88	2220	80 18	40 9.3	27 6.2	20 4.7	90	100	112	132	S4E S4F

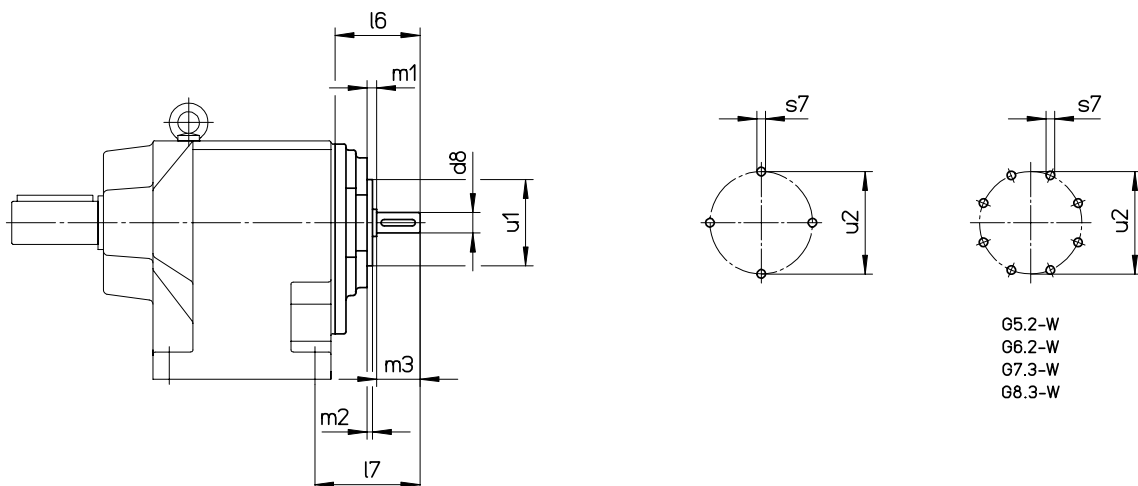
Редукторы с косозубыми колесами G



i	M [Нм] сG=1	n2 [1/мин] Pmax [кВт]				Переходник - адаптер для мотора -M						
		n1=2800	n1=1400	n1=930	n1=700	IEC	IEC	IEC	IEC	IEC	IEC	IEC
G7.3												
316.36	4050	8.9 3.8	4.4 1.9	2.9 1.2	2.2 0.94	100	112					
282.28	3620	9.9 3.8	5.0 1.9	3.3 1.2	2.5 0.94	100	112					
259.09	4560	11 5.2	5.4 2.6	3.6 1.7	2.7 1.3	100	112					
231.18	4070	12 5.2	6.1 2.6	4.0 1.7	3.0 1.3	100	112					
193.91	4660	14 7.1	7.2 3.5	4.8 2.3	3.6 1.8	100	112	132	160			S4F
173.02	4730	16 8.0	8.1 4.0	5.4 2.7	4.0 2.0	100	112	132	160			S4F
164.45	4660	17 8.3	8.5 4.2	5.7 2.8	4.3 2.1	100	112	132	160			S4F
146.74	4730	19 9.5	9.5 4.7	6.3 3.1	4.8 2.4	100	112	132	160			S4F
132.95	4660	21 10	11 5.1	7.0 3.4	5.3 2.6	100	112	132	160			S4F
118.63	4730	24 12	12 5.8	7.8 3.9	5.9 2.9	100	112	132	160			S4F
103.30	4660	27 13	14 6.6	9.0 4.4	6.8 3.3	100	112	132	160			S4F
92.17	4730	30 15	15 7.5	10 5.0	7.6 3.8	100	112	132	160			S4F
81.82	4660	34 17	17 8.4	11 5.6	8.6 4.2	100	112	132	160			S4F
73.00	4730	38 19	19 9.5	13 6.3	9.6 4.8	100	112	132	160			S4F
63.82	4660	44 21	22 11	15 7.1	11 5.4	100	112	132	160			S4F
56.94	4730	49 24	25 12	16 8.1	12 6.1	100	112	132	160			S4F
54.20	4660	52 25	26 13	17 8.4	13 6.3	100	112	132	160	180	200	225 S4F
48.36	4730	58 29	29 14	19 9.5	14 7.2	100	112	132	160	180	200	225 S4F
39.27	4660	71 35	36 17	24 12	18 8.7	100	112	132	160	180	200	225 S4F
35.04	4730	80 37	40 20	27 13	20 9.9	100	112	132	160	180	200	225 S4F
31.76	4660	88 37	44 22	29 14	22 11			132	160	180	200	225 S4F
28.34	4730	99 37	49 24	33 16	25 12			132	160	180	200	225 S4F
25.84	4660	108 37	54 26	36 18	27 13			132	160	180	200	225 S4F
23.05	4730	121 37	61 30	40 20	30 15			132	160	180	200	225 S4F
20.81	4730	135 37	67 33	45 22	34 17			132	160			S4F
18.97	4660	148 37	74 36	49 24	37 18			132	160			S4F
17.61	4460	159 37	80 37	53 25	40 19	100	112	132	160	180	200	225 S4F
16.92	4690	165 37	83 37	55 27	41 20			132	160			S4F
14.24	3990	197 37	98 37	65 27	49 21			132	160	180	200	225 S4F
11.58	3510	242 37	121 37	80 30	60 22			132	160	180	200	225 S4F
G8.3												
327.78	7970	8.5 7.1	4.3 3.6	2.8 2.4	2.1 1.8	100	112					
292.56	7110	9.6 7.1	4.8 3.6	3.2 2.4	2.4 1.8	100	112					
245.000	8740	11 10	5.7 5.2	3.8 3.5	2.9 2.6	100	112	132	160			S4F
218.68	7900	13 11	6.4 5.3	4.3 3.5	3.2 2.6	100	112	132	160			S4F
210.000	8740	13 12	6.7 6.1	4.4 4.1	3.3 3.0	100	112	132	160			S4F
187.44	9180	15 14	7.5 7.2	5.0 4.8	3.7 3.6	100	112	132	160			S4F
170.83	8740	16 15	8.2 7.5	5.4 5.0	4.1 3.7	100	112	132	160			S4F
152.48	9180	18 18	9.2 8.8	6.1 5.9	4.6 4.4	100	112	132	160			S4F
131.67	8740	21 19	11 9.7	7.1 6.5	5.3 4.9	100	112	132	160			S4F
117.52	9180	24 23	12 11	7.9 7.6	6.0 5.7	100	112	132	160			S4F
98.86	8740	28 26	14 13	9.4 8.6	7.1 6.5	100	112	132	160			S4F
88.24	9180	32 31	16 15	11 10	7.9 7.6	100	112	132	160			S4F
83.000	8740	34 31	17 15	11 10	8.4 7.7	100	112	132	160			S4F
74.08	9180	38 36	19 18	13 12	9.4 9.1	100	112	132	160			S4F
65.48	8740	43 39	21 20	14 13	11 9.8			132	160	180	200	225 S4F
58.44	9180	48 46	24 23	16 15	12 12			132	160	180	200	225 S4F
53.33	8740	53 48	26 24	17 16	13 12	100	112	132	160	180	200	225 S4F
47.60	9180	59 57	29 28	20 19	15 14	100	112	132	160	180	200	225 S4F
40.52	8740	69 60	35 32	23 21	17 16			132	160	180	200	225 S4F
36.16	9180	77 60	39 37	26 25	19 19			132	160	180	200	225 S4F
32.58	8740	86 60	43 39	29 26	21 20					180	200	225
29.08	9180	96 60	48 46	32 31	24 23					180	200	225
26.35	8740	106 60	53 49	35 32	27 24					180	200	225
23.52	9180	119 60	60 57	40 38	30 29					180	200	225
21.17	9180	132 60	66 60	44 42	33 32					180	200	225
19.19	8740	146 60	73 60	48 44	36 33					180	200	225
17.12	8920	164 60	82 60	54 51	41 38					180	200	225

Редукторы с косозубыми колесами G

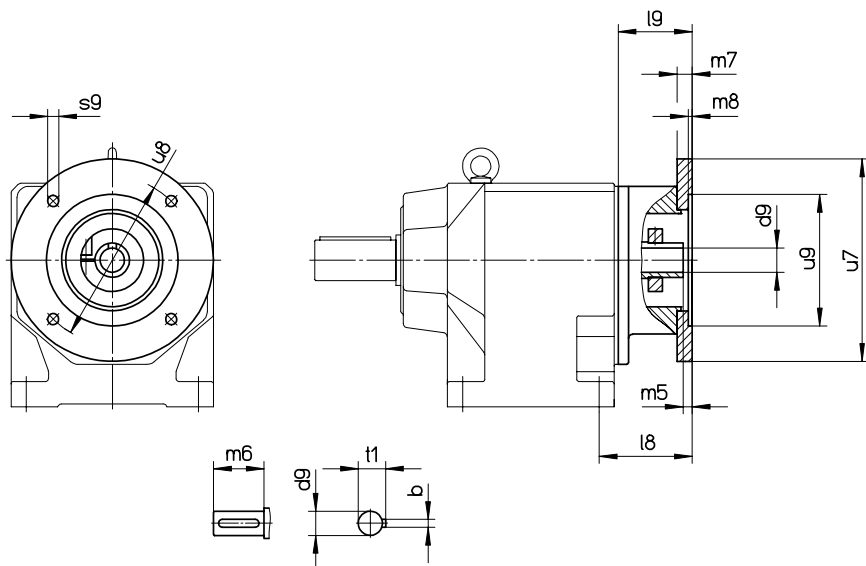
KEB



Редуктор	d8	m3	m1	m2	u1	u2	s7	l6	l7
G1.2-W	14	40	8	5	54	67	M6	77.5	90
G2.2-W	14	40	8	5	54	67	M6	74	86.5
G3.2-W	19	40	9	5	80	95	M8	84.5	100
G3.3-W	14	40	8	5	54	67	M6	94.5	110
G4.2-W	24	50	9	5	80	95	M8	88.5	107.5
G4.3-W	14	40	8	5	54	67	M6	89.5	108.5
G5.2-W	28	60	11	6	125	150	M10	119.5	141
G5.3-W	19	40	9	5	80	95	M8	104	125.5
G6.2-W	38	80	11	6	125	150	M10	131.5	157.5
G6.3-W	24	50	9	5	80	95	M8	114.5	137.5

Редукторы с косозубыми колесами G с переходником для IEC мотора

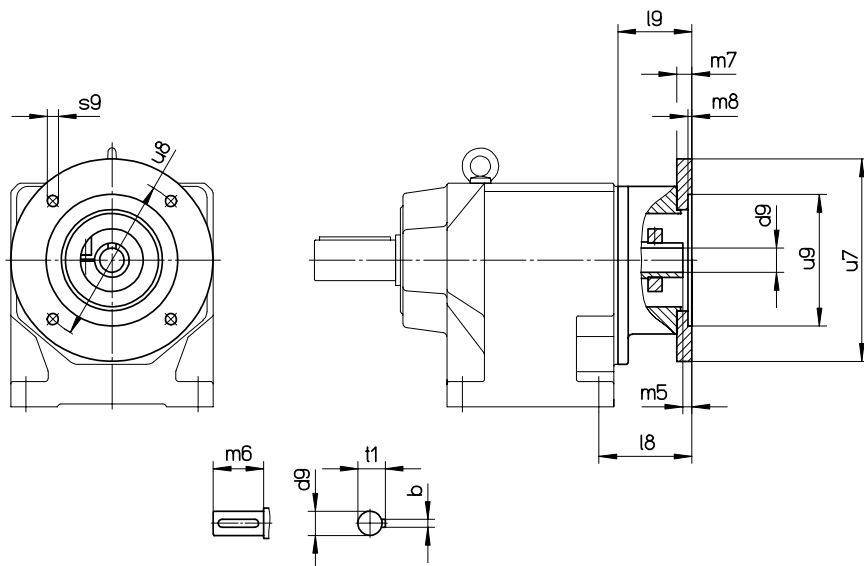
KEB



Редуктор	Адаптер - переходник	u7	u8	u9	s9	d9	m6	b	t1	m5	m7	m8	l8	l9
G1.2	-M IEC63B14G	120	100	80	7	11	23	4	12.5	4.5	12	4	59	46.5
	-M IEC63B5	140	115	95	9							4		
	-M IEC71B14G	140	115	95	9	14	30	5	16	5	12	4	63	50.5
	-M IEC71B5	160	130	110	9							4.5		
	-M IEC80B14K	120	100	80	7	19	40	6	21.5	7	12	4	72	59.5
	-M IEC80B14G	160	130	110	9							4.5		
-M IEC80B5	200	165	130	11	4.5									
-M IEC80B14G	120	100	80	7	11							23		
G2.2	-M IEC63B5	140	115	95	9	14	30	5	16	5	12	4	59.5	47
	-M IEC71B14G	140	115	95	9	14	30	5	16	5	12	4	59.5	47
	-M IEC71B5	160	130	110	9							4.5		
	-M IEC80B14K	120	100	80	7	19	40	6	21.5	7	12	4	68.5	56
	-M IEC80B14G	160	130	110	9							4.5		
	-M IEC80B5	200	165	130	11							4.5		
	-M IEC90B14K	140	115	95	9							24		
	-M IEC90B14G	160	130	110	9	4.5								
	-M IEC90B5	200	165	130	11	4.5								
	G3.2	-M IEC90B14G	160	130	110	9	14	30	5	16	5	15	4	74
-M IEC71B5		160	130	110	9	4.5								
-M IEC80B14G		160	130	110	9	19	40	6	21.5	7	15	4.5	84	68.5
-M IEC80B5		200	165	130	11							4.5		
-M IEC90B14K		140	115	95	9	24	50	8	27	9	15	4	95	79.5
-M IEC90B14G		160	130	110	9							4.5		
-M IEC90B5		200	165	130	11							4.5		
-M IEC100B14K		160	130	110	9	28	60	8	31	9	15	4.5	103	87.5
-M IEC100B14G		200	165	130	11							4.5		
-M IEC100B5		250	215	180	14	28	60	8	31	9	15	5	103	87.5
-M IEC112B14K		160	130	110	9							4.5		
-M IEC112B14G		200	165	130	11							4.5		
-M IEC112B5		250	215	180	14							5		

Редукторы с косозубыми колесами G с переходником для IEC мотора

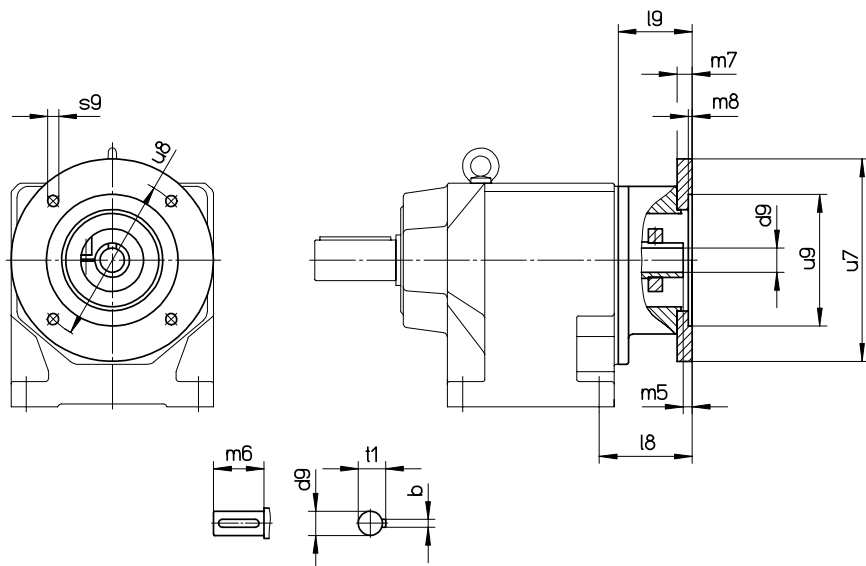
KEB



Редуктор	Адаптер - переходник	u7	u8	u9	s9	d9	m6	b	t1	m5	m7	m8	l8	l9
G3.3	-M IEC63B14G	120	100	80	7	11	23	4	12.5	4.5	12	4	79	46.5
	-M IEC63B5	140	115	95	9							4		
	-M IEC71B14G	140	115	95	9	14	30	5	16	5	12	4	83	50.5
	-M IEC71B5	160	130	110	9							4.5		
	-M IEC80B14K	120	100	80	7	19	40	6	21.5	7	12	4	92	59.5
	-M IEC80B14G	160	130	110	9							4.5		
-M IEC80B5	200	165	130	11	4.5									
G4.2	-M IEC80B14G	160	130	110	9	19	40	6	21.5	7	15	4.5	82	63
	-M IEC80B5	200	165	130	11							4.5		
	-M IEC90B14G	160	130	110	9	24	50	8	27	9	15	4.5	93	74
	-M IEC90B5	200	165	130	11							4.5		
	-M IEC100B14K	160	130	110	9	28	60	8	31	9	15	4.5	101	82
	-M IEC100B14G	200	165	130	11							4.5		
	-M IEC100B5	250	215	180	14							5		
	-M IEC112B14K	160	130	110	9	28	60	8	31	9	15	4.5	101	82
	-M IEC112B14G	200	165	130	11							4.5		
	-M IEC112B5	250	215	180	14							5		
-M IEC132B5	300	265	230	14	38	80	10	41	13.5	15	5	125	106	
G4.3	-M IEC63B14G	120	100	80	7	11	23	4	12.5	4.5	12	4	77.5	43
	-M IEC63B5	140	115	95	9							4		
	-M IEC71B14G	140	115	95	9	14	30	5	16	5	12	4	81.5	47
	-M IEC71B5	160	130	110	9							4.5		
	-M IEC80B14K	120	100	80	7	19	40	6	21.5	7	12	4	90.5	56
	-M IEC80B14G	160	130	110	9							4.5		
	-M IEC80B5	200	165	130	11							4.5		
	-M IEC90B14K	140	115	95	9	24	40	8	27	9	12	4	103	68.5
	-M IEC90B14G	160	130	110	9							4.5		
	-M IEC90B5	200	165	130	11							4.5		

Редукторы с косозубыми колесами G с переходником для IEC мотора

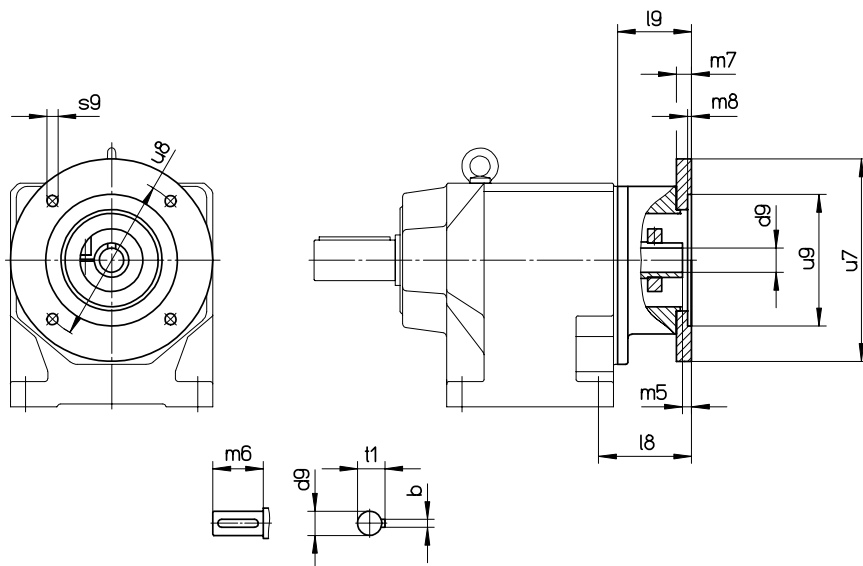
KEB



Редуктор	Адаптер - переходник	u7	u8	u9	s9	d9	m6	b	t1	m5	m7	m8	l8	l9
G5.2	-M IEC90B5	200	165	130	11	24	50	8	27	9	18	4.5	99	77.5
	-M IEC100B14G	200	165	130	11	28	60	8	31	9	18	4.5	109	87.5
	-M IEC100B5	250	215	180	14	28	60	8	31	9	18	5	109	87.5
	-M IEC112B14G	200	165	130	11	28	60	8	31	9	18	4.5	109	87.5
	-M IEC112B5	250	215	180	14	38	80	10	41	13.5	18	5	130	108.5
	-M IEC160B5	350	300	250	18	42	110	12	45	14	18	6	160	138.5
G5.3	-M IEC71B14G	140	115	95	9	14	30	5	16	5	15	4	99.5	58.5
	-M IEC71B5	160	130	110	9	14	30	5	16	5	15	4.5	99.5	58.5
	-M IEC80B14G	160	130	110	9	19	40	6	21.5	7	15	4.5	109.5	68.5
	-M IEC80B5	200	165	130	11	19	40	6	21.5	7	15	4.5	109.5	68.5
	-M IEC90B14K	140	115	95	9	14	30	5	16	5	15	4	99.5	58.5
	-M IEC90B14G	160	130	110	9	24	50	8	27	9	15	4.5	120.5	79.5
	-M IEC90B5	200	165	130	11	24	50	8	27	9	15	4.5	120.5	79.5
	-M IEC100B14K	160	130	110	9	14	30	5	16	5	15	4.5	99.5	58.5
	-M IEC100B14G	200	165	130	11	28	60	8	31	9	15	4.5	128.5	87.5
	-M IEC100B5	250	215	180	14	28	60	8	31	9	15	5	128.5	87.5
	-M IEC112B14K	160	130	110	9	14	30	5	16	5	15	4.5	99.5	58.5
	-M IEC112B14G	200	165	130	11	28	60	8	31	9	15	4.5	128.5	87.5
	-M IEC112B5	250	215	180	14	38	80	10	41	13.5	18	5	130	108.5

Редукторы с косозубыми колесами G с переходником для IEC мотора

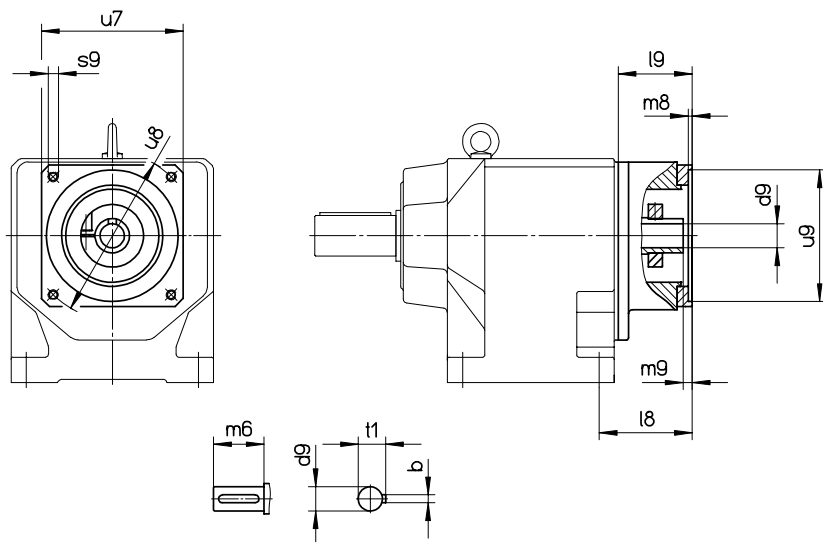
KEB



Редуктор	Адаптер - переходник	u7	u8	u9	s9	d9	m6	b	t1	m5	m7	m8	l8	l9	
G6.2	-M IEC100B5	250	215	180	14	28	60	8	31	9	20	5	106	80	
	-M IEC112B5	250	215	180	14	28	60	8	31	9	20	5	106	80	
	-M IEC132B5	300	265	230	14	38	80	10	41	13.5	20	5	128	102	
	-M IEC160B5	350	300	250	18	42	110	12	45	14	20	6	158	132	
	-M IEC180B5	350	300	250	18	48	110	14	51.5	17	20	6	158	132	
G6.3	-M IEC80B14G	160	130	110	9		19	40	6	21.5	7	15	4.5	112	63
	-M IEC80B5	200	165	130	11							4.5			
	-M IEC90B14G	160	130	110	9							4.5			
	-M IEC90B5	200	165	130	11	24	50	8	27	9	15	4.5	123	74	
	-M IEC100B14K	160	130	110	9							4.5			
	-M IEC100B14G	200	165	130	11	28	60	8	31	9	15	4.5	131	82	
	-M IEC100B5	250	215	180	14							5			
	-M IEC112B14K	160	130	110	9							4.5			
	-M IEC112B14G	200	165	130	11	28	60	8	31	9	15	4.5	131	82	
	-M IEC112B5	250	215	180	14							5			
G7.3	-M IEC132B5	300	265	230	14	38	80	10	41	13.5	15	5	155	106	
	-M IEC100B5	250	215	180	14	28	60	8	31	9	25	5	146	102	
	-M IEC112B5	250	215	180	14	28	60	8	31	9	25	5	146	102	
	-M IEC132B5	300	265	230	14	38	80	10	41	13.5	25	5	167	123	
	-M IEC160B5	350	300	250	18	42	110	12	45	14	25	6	198	154	
	-M IEC180B5	350	300	250	18	48	110	14	51.5	17	25	6	198	154	
	-M IEC200B5	400	350	300	18	55	110	16	59	13	25	6	198	154	
G8.3	-M IEC225B5	450	400	350	18	60	140	18	64	16.5	25	6	229	185	
	-M IEC100B5	250	215	180	14	28	60	8	31	9	25	5	150	102	
	-M IEC112B5	250	215	180	14	28	60	8	31	9	25	5	150	102	
	-M IEC132B5	300	265	230	14	38	80	10	41	13.5	25	5	171	123	
	-M IEC160B5	350	300	250	18	42	110	12	45	14	25	6	202	154	
	-M IEC180B5	350	300	250	18	48	110	14	51.5	17	25	6	202	154	
	-M IEC200B5	400	350	300	18	55	110	16	59	13	25	6	202	154	
-M IEC225B5	450	400	350	18	60	140	18	64	16.5	25	6	233	185		

Редукторы с косозубыми колесами G с переходником для сервомотора

KEB



Редуктор	Адаптер - переходник	u7	u8	u9	s9	d9	m6	b	t1	m5	m8	l8	l9
G1.2	-M S4B	70	75	60	M5	11	23	4	12.2	4.5	3.5	59	46.5
	-M S4C	92	100	80	M6	14	30	5	16	5	4	63	50.5
	-M S4D	110	115	95	M8	19	40	6	21.5	7	4	72	59.5
G2.2	-M S4B	70	75	60	M5	11	23	4	12.2	4.5	3.5	55.5	43
	-M S4C	92	100	80	M6	14	30	5	16	5	4	59.5	47
	-M S4D	110	115	95	M8	19	40	6	21.5	7	4	68.5	56
G3.2	-M S4E	140	165	130	M10	24	50	8	27	9	4.5	81	68.5
	-M S4C	92	100	80	M6	14	30	5	16	5	4	74	58.5
	-M S4D	110	115	95	M8	19	40	6	21.5	7	4	84	68.5
G3.3	-M S4E	140	165	130	M10	24	50	8	27	9	4.5	95	79.5
	-M S4B	70	75	60	M5	11	23	4	12.2	4.5	3.5	79	46.5
	-M S4C	92	100	80	M6	14	30	5	16	5	4	83	50.5
G4.2	-M S4D	110	115	95	M8	19	40	6	21.5	7	4	92	59.5
	-M S4E	140	165	130	M10	24	50	8	27	9	4.5	93	74
	-M S4F	190	215	180	M12	32	58	10	35	9	5	101	82
G4.3	-M S4B	70	75	60	M5	11	23	4	12.2	4.5	3.5	77.5	43
	-M S4C	92	100	80	M6	14	30	5	16	5	4	81.5	47
	-M S4D	110	115	95	M8	19	40	6	21.5	7	4	90.5	56
G5.2	-M S4E	140	165	130	M10	24	50	8	27	9	4.5	103	68.5
	-M S4F	190	215	180	M12	32	58	10	35	9	5	109	77.5
	-M S4C	92	100	80	M6	14	30	5	16	5	4	99.5	58.5
G5.3	-M S4D	110	115	95	M8	19	40	6	21.5	7	4	109.5	68.5
	-M S4E	140	165	130	M10	24	50	8	27	9	4.5	120.5	79.5
	-M S4F	190	215	180	M12	32	58	10	35	9	5	106	80
G6.2	-M S4D	110	115	95	M8	19	40	6	21.5	7	4	112	63
	-M S4E	140	165	130	M10	24	50	8	27	9	4.5	123	74
	-M S4F	190	215	180	M12	32	58	10	35	9	5	131	82
G7.3	-M S4F	190	215	180	M12	32	58	10	35	9	5	146	102
G8.3	-M S4F	190	215	180	M12	32	58	10	35	9	5	150	102